

# EBLS Linear grilles with horizontal fixed bars with 15 mm frame

## Description

Air jets with horizontal aluminium fixed bars with 0° or 15° deflection with 15 mm frame.

## Characteristics

Material: aluminium.  
Finish: natural anodised.  
Installation: magnet fastening.

## Use

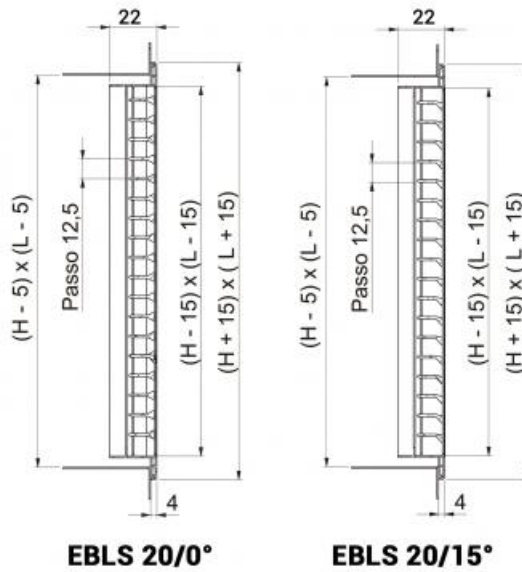
For air conditioning and ventilation systems, for wall installation, for fan coils, for floor installation (not walkable), for both supply and exhaust.

## Accessories

- EPZS galvanised plenum;
- EPIS insulated plenum;
- SC galvanised steel regulation damper with blades with opposing movement.

## On request

White RAL9016 painting or other RAL colours.



## Operating data

Vk: effective speed (m/s)

m<sup>3</sup>/h: flow rate

Pa: pressure drops in Pascal

L1 (m): air throw referring to a terminal velocity Vt= 0.25 m/s and with a temperature differential of 10/12°C, installed near the ceiling (not beyond 3 m); for greater distances, correct the air throw by multiplying it by 0.7

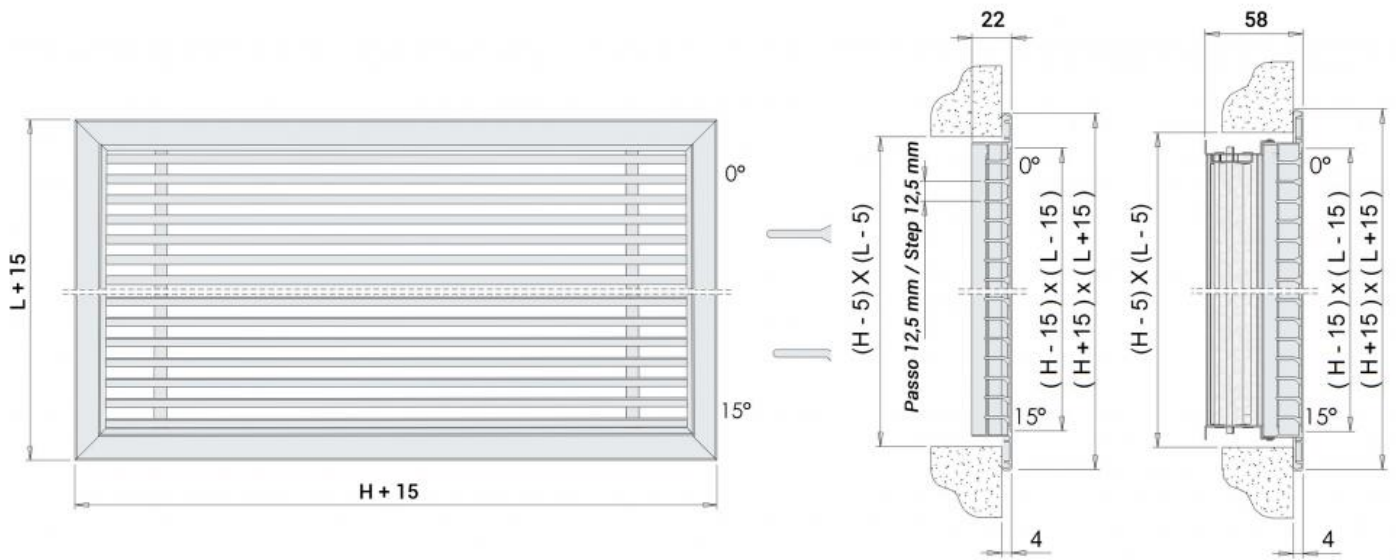
dB(A): noise level

All dimensions are expressed in mm.

dimensions LxH	effective cross-section m <sup>2</sup>	Vk 3 m/s		Vk 4 m/s		Vk 5 m/s	
		m <sup>3</sup> /h	L1	m <sup>3</sup> /h	L1	m <sup>3</sup> /h	L1
400x75	0,015	160	2,8	213	3,8	266	4,7
500x75	0,019	201	3	268	3,9	335	4,9
600x75	0,022	243	3,1	323	4,1	404	5,1
400x100	0,020	216	2,9	292	3,8	365	4,8
500x100	0,026	276	3	367	4	459	5
600x100	0,031	332	3,1	443	4,2	554	5,2
400x125	0,026	278	2,9	370	3,9	463	4,9
500x125	0,032	350	3,1	467	4,1	583	5,1
600x125	0,039	422	3,2	563	4,2	703	5,3
400x150	0,031	337	3	449	4	561	5
500x150	0,039	424	3,1	566	4,2	707	5,2
600x150	0,047	512	3,4	682	4,3	853	5,4
400x200	0,042	455	3,3	607	4,2	758	5,2
500x200	0,053	573	3,4	764	4,4	955	5,4
600x200	0,064	691	3,6	922	4,5	1152	5,6
Pa		5		10		15	
dB(A)		25 / 32		33 / 39		38 / 44	

## Configuration

All measurements are expressed in mm

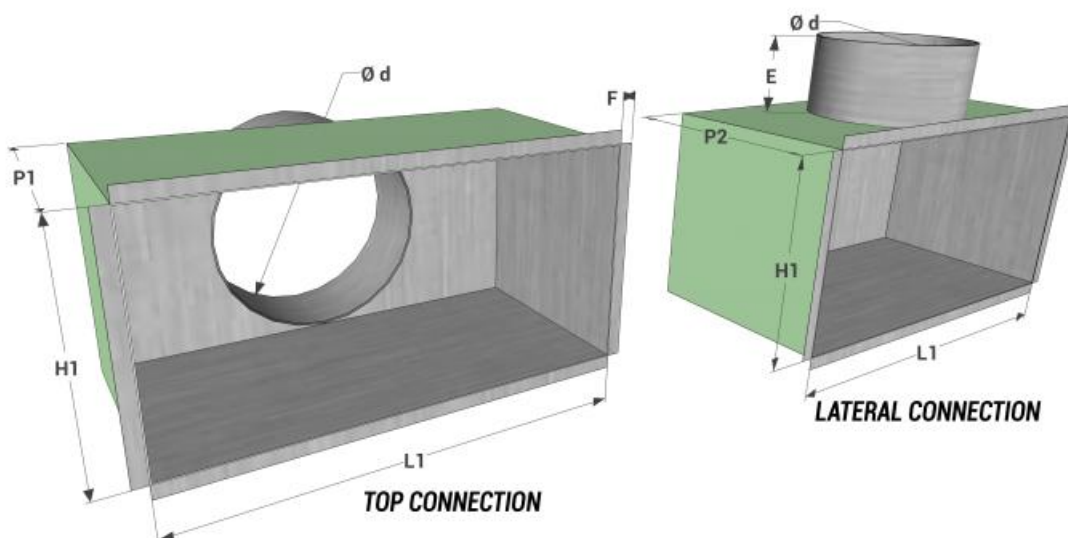


### SC regulation damper

Galvanised steel regulation damper with blades with opposing movement.



### Plenum



All dimensions are expressed in mm.

model EBLS	dimensions	top connection			lateral connection			E	F
		P1	no. connections	Ø d	P2	no. connections	Ø d		
400x75	395x70	-	-	-	150	2	95	80	8
500x75	495x70	-	-	-	150	2	95	80	8
600x75	595x70	-	-	-	150	2	95	80	8
400x100	395x95	200	2	95	200	2	95	80	8
500x100	495x95	200	2	95	200	2	95	80	8
600x100	595x95	200	2	95	200	2	95	80	8
400x125	395x120	200	1	120	230	1	120	80	8
500x125	495x120	200	2	120	230	2	120	80	8
600x125	595x120	200	2	120	230	2	120	80	8
400x150	395x145	200	1	145	250	1	145	80	8
500x150	495x145	200	2	145	250	2	145	80	8
600x150	595x145	200	2	145	250	2	145	80	8
400x200	395x195	200	1	195	300	1	195	80	8
500x200	495x195	200	2	195	300	2	195	80	8
600x200	595x195	200	2	195	300	2	195	80	8

## Price list

Note: painted white RAL 9016 + 20%

EBLS20: with fixed bars

0°: 0° deflection

15°: 15° deflection

dimensions	air jets EBLS 20/0°	air jets EBLS 20/15°
LxH	euro	euro
400x75	▼	▼
500x75	▼	▼
600x75	▼	▼
400x100	▼	▼
500x100	▼	▼
600x100	▼	▼
400x125	▼	▼
500x125	▼	▼
600x125	▼	▼
400x150	▼	▼
500x150	▼	▼
600x150	▼	▼
400x200	▼	▼
500x200	▼	▼
600x200	▼	▼

## Accessories

All dimensions are expressed in mm.

EBLS dimensions	plenum dimensions	top connection		lateral connection		damper SC
		EPZS galvanized plenum	EPIS isolated plenum	EPZS galvanized plenum	EPIS isolated plenum	
LxH	L1xH1	euro	euro	euro	euro	euro
400x75	395x70	-	-	▼	▼	▼
500x75	495x70	-	-	▼	▼	▼
600x75	595x70	-	-	▼	▼	▼
400x100	395x95	▼	▼	▼	▼	▼
500x100	495x95	▼	▼	▼	▼	▼
600x100	595x95	▼	▼	▼	▼	▼
400x125	395x120	▼	▼	▼	▼	▼
500x125	495x120	▼	▼	▼	▼	▼
600x125	595x120	▼	▼	▼	▼	▼
400x150	395x145	▼	▼	▼	▼	▼
500x150	495x145	▼	▼	▼	▼	▼
600x150	595x145	▼	▼	▼	▼	▼
400x200	395x195	▼	▼	▼	▼	▼
500x200	495x195	▼	▼	▼	▼	▼
600x200	595x195	▼	▼	▼	▼	▼