

EBS Hidden grilles with removable central core and retractable frame.

NEW ARRIVAL



Description

Linear grilles with horizontal aluminium fixed bars with 0° or 15° deflection. Retractable frame.

Characteristics

Material: aluminium.
Finish: anodized.
Frame: natural aluminium.
Installation: fixing with screws

Use

Grilles used in air conditioning and ventilation systems for both supply and return.

They can be installed on the ceiling and on the wall.

Models

EBS 20/0°: with retractable frame, fixed front pull-out bars with 0° deflection;

EBS 21/0°: with retractable frame, fixed front pull-out bars with 0° deflection and pivoting rear flaps;

EBS 20/15°: with retractable frame, fixed front pull-out bars with 15° deflection;

EBS 21/15°: with retractable frame, fixed front pull-out bars with 15° deflection and pivoting rear flaps.

Accessories

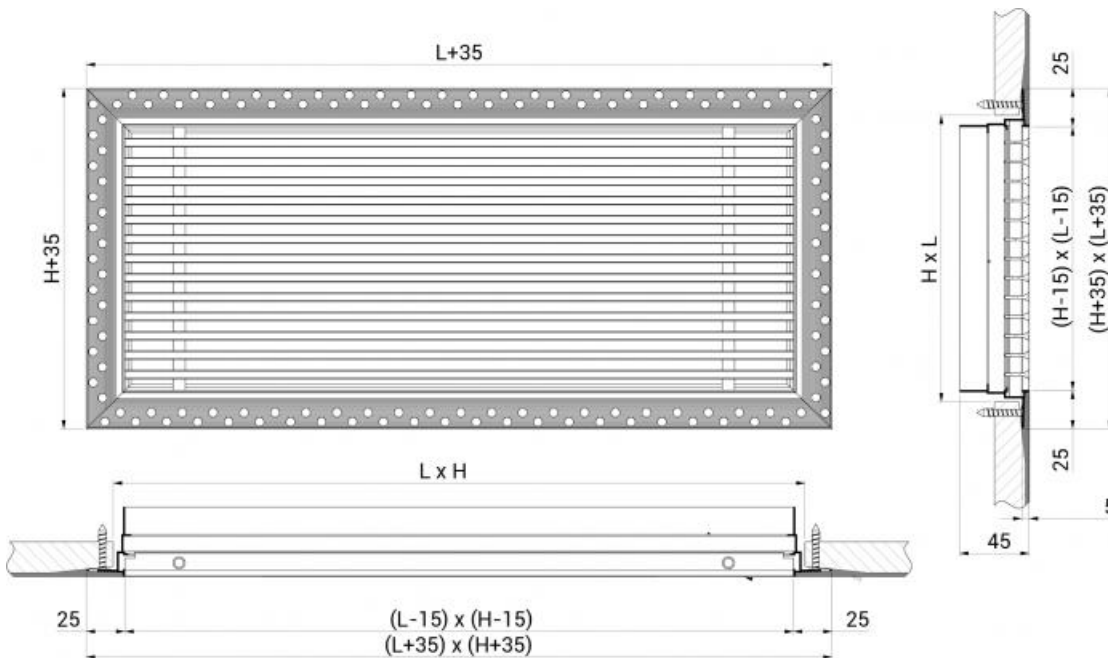
- EPZ plenum galvanized;
- EPI plenum isolated;
- SC calibration damper in galvanized steel with fins with opposing movement.
- Air intake filter EFEB5

On demand

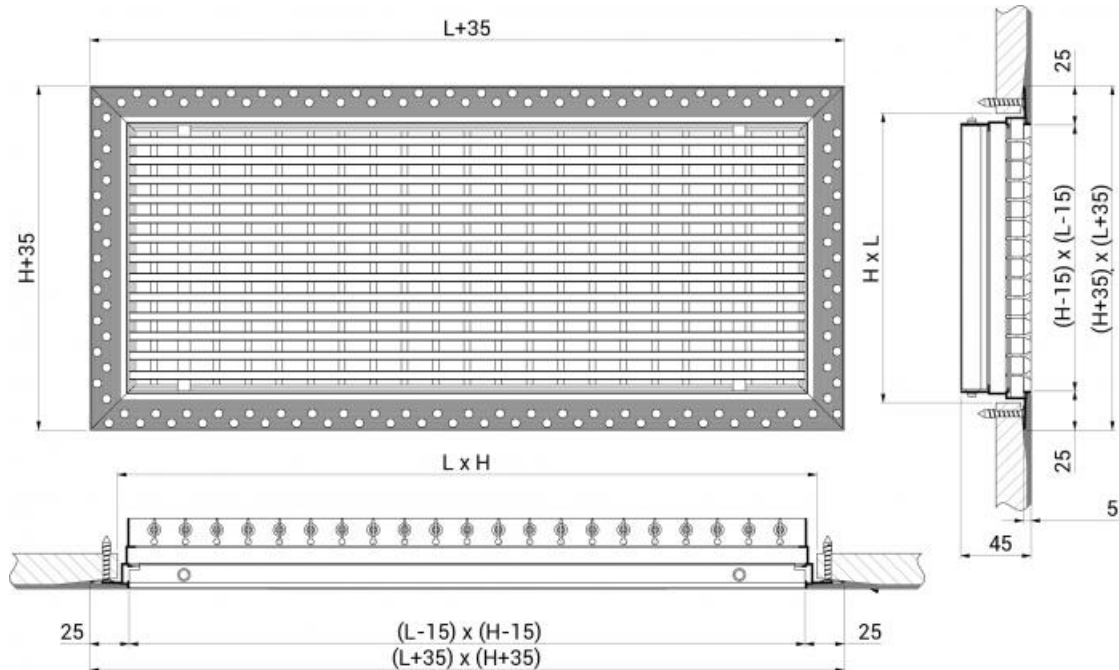
Paint colour RAL9016 or other colours of your choice.

DimensionS EBS 20/0°

All dimensions are expressed in mm.



Dimensions EBS 21/0°



Operating data

Vk: effective speed (m/s)

m³/h: air flow

Pa: pressure drop in Pascal

L1 (m): data referring to a terminal throw velocity Vt = 0.25 m/s and with a temperature differential of 10/12°C in ceiling installation (not higher than 3 m); for longer distances, it needs to correct the throw multiplying it by 0,7.

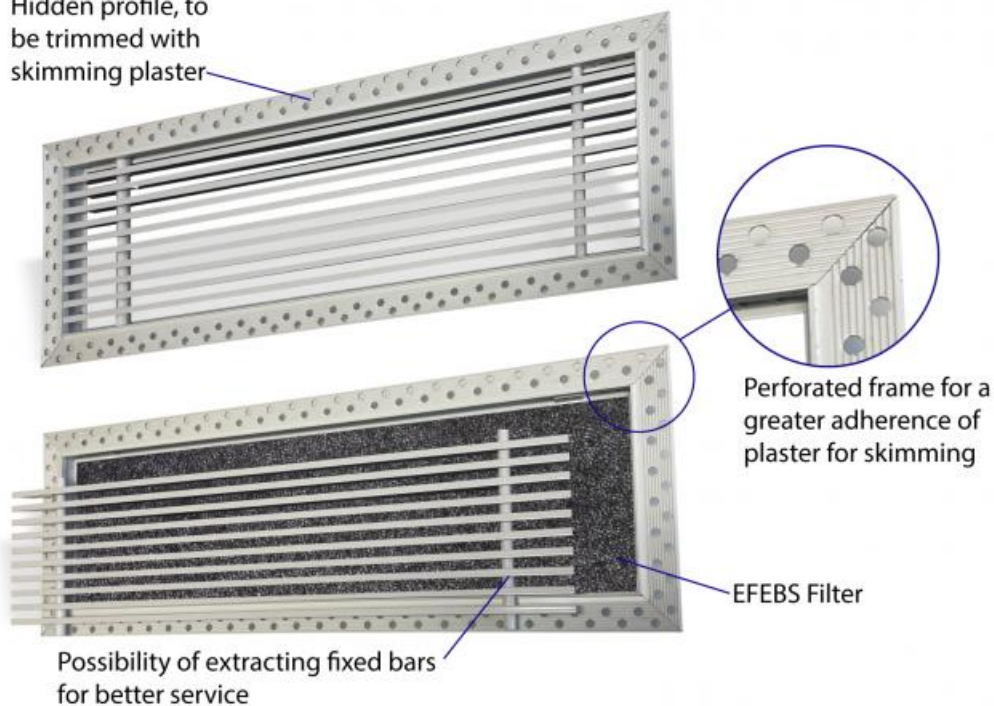
dB(A): noise level

Dimensions are expressed in mm.

| dimension LxH | effective section m ² | Vk 3 m/s | | Vk 4 m/s | | Vk 5 m/s | |
|---------------|-------------------------------------|-------------------|-----|-------------------|-----|-------------------|-----|
| | | m ³ /h | L1 | m ³ /h | L1 | m ³ /h | L1 |
| 400x75 | 0,015 | 160 | 2,8 | 213 | 3,8 | 266 | 4,7 |
| 500x75 | 0,019 | 201 | 3 | 268 | 3,9 | 335 | 4,9 |
| 600x75 | 0,022 | 243 | 3,1 | 323 | 4,1 | 404 | 5,1 |
| 800x75 | 0,030 | 326 | 3,3 | 434 | 4,3 | 543 | 5,4 |
| 1000x75 | 0,038 | 408 | 3,4 | 545 | 4,5 | 681 | 5,7 |
| 400x100 | 0,020 | 216 | 2,9 | 292 | 3,8 | 365 | 4,8 |
| 500x100 | 0,026 | 276 | 3 | 367 | 4 | 459 | 5 |
| 600x100 | 0,031 | 332 | 3,1 | 443 | 4,2 | 554 | 5,2 |
| 800x100 | 0,041 | 446 | 3,3 | 595 | 4,4 | 743 | 5,5 |
| 1000x100 | 0,052 | 560 | 3,5 | 746 | 4,6 | 933 | 5,8 |
| 400x125 | 0,026 | 278 | 2,9 | 370 | 3,9 | 463 | 4,9 |
| 500x125 | 0,032 | 350 | 3,1 | 467 | 4,1 | 583 | 5,1 |
| 600x125 | 0,039 | 422 | 3,2 | 563 | 4,2 | 703 | 5,3 |
| 800x125 | 0,052 | 566 | 3,4 | 755 | 4,5 | 944 | 5,6 |
| 1000x125 | 0,066 | 711 | 3,5 | 947 | 4,7 | 1184 | 5,9 |
| 400x150 | 0,031 | 337 | 3 | 449 | 4 | 561 | 5 |
| 500x150 | 0,039 | 424 | 3,1 | 566 | 4,2 | 707 | 5,2 |
| 600x150 | 0,047 | 512 | 3,3 | 682 | 4,3 | 853 | 5,4 |
| 800x150 | 0,064 | 687 | 3,4 | 916 | 4,6 | 1145 | 5,7 |
| 1000x150 | 0,080 | 862 | 3,6 | 1149 | 4,8 | 1436 | 6 |
| 400x200 | 0,042 | 455 | 3,1 | 607 | 4,2 | 758 | 5,2 |
| 500x200 | 0,053 | 573 | 3,3 | 764 | 4,4 | 955 | 5,4 |
| 600x200 | 0,064 | 691 | 3,4 | 922 | 4,5 | 1152 | 5,6 |
| 800x200 | 0,086 | 927 | 3,6 | 1237 | 4,8 | 1546 | 6 |
| 1000x200 | 0,108 | 1164 | 3,8 | 1552 | 5 | 1940 | 6,3 |
| Pa | | 5 | | 10 | | 15 | |
| dB(A) | | 25 / 32 | | 33 / 39 | | 38 / 44 | |

Construction details

Hidden profile, to be trimmed with skimming plaster



EFEBs air intake filter



6 mm thick rigid polyurethane air intake filter without frame.

| Physical properties | Measure | Standard | Result |
|------------------------|-------------------------------|---------------|--------|
| Porosity | ppi - pores per inch | | 15-25 |
| Density | kg/m ³ | ISO 845 | 55 |
| Compression resistance | kPa at 25% compression (20°C) | ASTM D1564 70 | |
| Ultimate elongation | % | ISO 1798 | 35 |
| Tensile strength | kPa | ISO 1798 | 200 |
| Tear strength | Nm/cm | ASTM D1564 15 | |
| Flame behaviour | | | NFR |

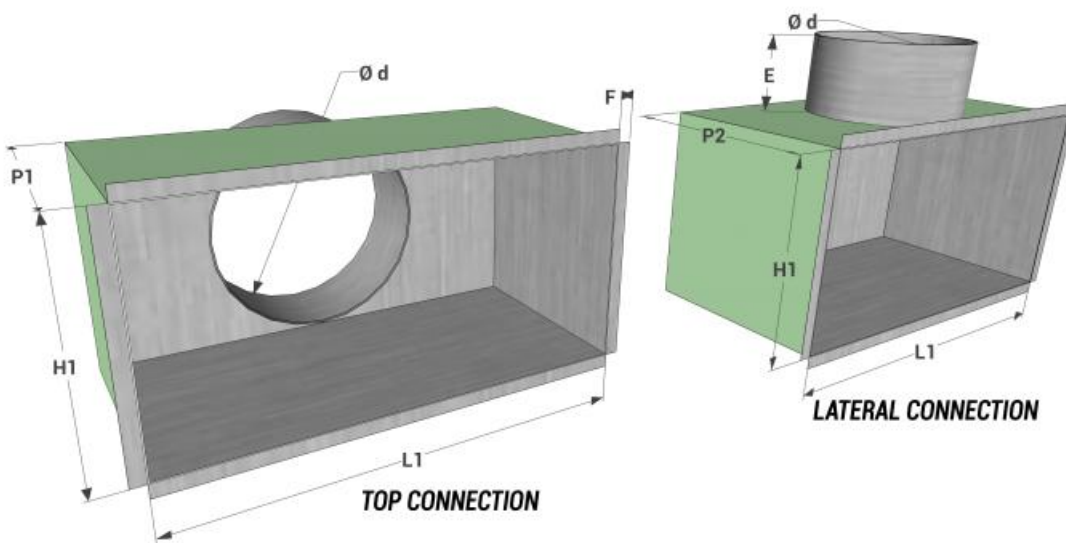
Note:
The material is None Flame Retardant.

SC calibration damper

SC galvanized steel calibration damper with fins with opposing movement.



Plenum



All dimensions are expressed in mm.

| model L1 x H1 | upper air connection | | | side air connection | | | E | F | model L1 x H1 | upper air connection | | | side air connection | | | E | F |
|---------------|----------------------|---------------|-----|---------------------|---------------|-----|----|----|---------------|----------------------|---------------|-----|---------------------|---------------|-----|----|----|
| | P1 | n° connection | Ø d | P2 | n° connection | Ø d | | | | P1 | n° connection | Ø d | P2 | n° connection | Ø d | | |
| 400x75 | - | - | - | 150 | 2 | 98 | 80 | 12 | 800x125 | 200 | 2 | 123 | 230 | 2 | 123 | 80 | 12 |
| 500x75 | - | - | - | 150 | 2 | 98 | 80 | 12 | 1000x125 | 200 | 3 | 123 | 230 | 3 | 123 | 80 | 12 |
| 600x75 | - | - | - | 150 | 2 | 98 | 80 | 12 | 400x150 | 200 | 1 | 148 | 250 | 1 | 148 | 80 | 12 |
| 800x75 | - | - | - | 150 | 2 | 98 | 80 | 12 | 500x150 | 200 | 2 | 148 | 250 | 2 | 148 | 80 | 12 |
| 1000x75 | - | - | - | 150 | 2 | 98 | 80 | 12 | 600x150 | 200 | 2 | 148 | 250 | 2 | 148 | 80 | 12 |
| 400x100 | 200 | 2 | 98 | 200 | 2 | 98 | 80 | 12 | 800x150 | 200 | 2 | 148 | 250 | 2 | 148 | 80 | 12 |
| 500x100 | 200 | 2 | 98 | 200 | 2 | 98 | 80 | 12 | 1000x150 | 200 | 3 | 148 | 250 | 3 | 148 | 80 | 12 |
| 600x100 | 200 | 2 | 98 | 200 | 2 | 98 | 80 | 12 | 400x200 | 200 | 1 | 198 | 300 | 1 | 198 | 80 | 12 |
| 800x100 | 200 | 2 | 98 | 200 | 2 | 98 | 80 | 12 | 500x200 | 200 | 1 | 198 | 300 | 1 | 198 | 80 | 12 |
| 1000x100 | 200 | 3 | 98 | 200 | 3 | 98 | 80 | 12 | 600x200 | 200 | 2 | 198 | 300 | 2 | 198 | 80 | 12 |
| 400x125 | 200 | 1 | 123 | 230 | 1 | 123 | 80 | 12 | 800x200 | 200 | 2 | 198 | 300 | 2 | 198 | 80 | 12 |
| 500x125 | 200 | 2 | 123 | 230 | 2 | 123 | 80 | 12 | 1000x200 | 200 | 2 | 198 | 300 | 2 | 198 | 80 | 12 |
| 600x125 | 200 | 2 | 123 | 230 | 2 | 123 | 80 | 12 | | | | | | | | | |

Price list

Note: painted white RAL9016 + 20%.

| dimensioni | EBS20/0° | EBS20/15° | EBS21/0° | EBS21/15° |
|------------|----------|-----------|----------|-----------|
| LxH | euro | euro | euro | euro |
| 400x75 | ▼ | ▼ | ▼ | ▼ |
| 500x75 | ▼ | ▼ | ▼ | ▼ |
| 600x75 | ▼ | ▼ | ▼ | ▼ |
| 800x75 | ▼ | ▼ | ▼ | ▼ |
| 1000x75 | ▼ | ▼ | ▼ | ▼ |
| 400x100 | ▼ | ▼ | ▼ | ▼ |
| 500x100 | ▼ | ▼ | ▼ | ▼ |
| 600x100 | ▼ | ▼ | ▼ | ▼ |
| 800x100 | ▼ | ▼ | ▼ | ▼ |
| 1000x100 | ▼ | ▼ | ▼ | ▼ |
| 400x125 | ▼ | ▼ | ▼ | ▼ |
| 500x125 | ▼ | ▼ | ▼ | ▼ |
| 600x125 | ▼ | ▼ | ▼ | ▼ |
| 800x125 | ▼ | ▼ | ▼ | ▼ |
| 1000x125 | ▼ | ▼ | ▼ | ▼ |
| 400x150 | ▼ | ▼ | ▼ | ▼ |
| 500x150 | ▼ | ▼ | ▼ | ▼ |
| 600x150 | ▼ | ▼ | ▼ | ▼ |
| 800x150 | ▼ | ▼ | ▼ | ▼ |
| 1000x150 | ▼ | ▼ | ▼ | ▼ |
| 400x200 | ▼ | ▼ | ▼ | ▼ |
| 500x200 | ▼ | ▼ | ▼ | ▼ |
| 600x200 | ▼ | ▼ | ▼ | ▼ |
| 800x200 | ▼ | ▼ | ▼ | ▼ |
| 1000x200 | ▼ | ▼ | ▼ | ▼ |

Accessories

All dimensions are expressed in mm.

| model L1 x H1 | upper air connection | | side air connection | | damper SC | EFEB Filters for EBS 20 |
|---------------|-----------------------|---------------------|-----------------------|---------------------|-----------|-------------------------|
| | EPZ galvanized plenum | EPI isolated plenum | EPZ galvanized plenum | EPI isolated plenum | | |
| L1xH1 | euro | euro | euro | euro | euro | euro |
| 400x75 | - | - | ▼ | ▼ | ▼ | ▼ |
| 500x75 | - | - | ▼ | ▼ | ▼ | ▼ |
| 600x75 | - | - | ▼ | ▼ | ▼ | ▼ |
| 800x75 | - | - | ▼ | ▼ | ▼ | ▼ |
| 1000x75 | - | - | ▼ | ▼ | ▼ | ▼ |
| 400x100 | ▼ | ▼ | ▼ | ▼ | ▼ | ▼ |
| 500x100 | ▼ | ▼ | ▼ | ▼ | ▼ | ▼ |
| 600x100 | ▼ | ▼ | ▼ | ▼ | ▼ | ▼ |
| 800x100 | ▼ | ▼ | ▼ | ▼ | ▼ | ▼ |
| 1000x100 | ▼ | ▼ | ▼ | ▼ | ▼ | ▼ |
| 400x125 | ▼ | ▼ | ▼ | ▼ | ▼ | ▼ |
| 500x125 | ▼ | ▼ | ▼ | ▼ | ▼ | ▼ |
| 600x125 | ▼ | ▼ | ▼ | ▼ | ▼ | ▼ |
| 800x125 | ▼ | ▼ | ▼ | ▼ | ▼ | ▼ |
| 1000x125 | ▼ | ▼ | ▼ | ▼ | ▼ | ▼ |
| 400x150 | ▼ | ▼ | ▼ | ▼ | ▼ | ▼ |
| 500x150 | ▼ | ▼ | ▼ | ▼ | ▼ | ▼ |
| 600x150 | ▼ | ▼ | ▼ | ▼ | ▼ | ▼ |
| 800x150 | ▼ | ▼ | ▼ | ▼ | ▼ | ▼ |
| 1000x150 | ▼ | ▼ | ▼ | ▼ | ▼ | ▼ |
| 400x200 | ▼ | ▼ | ▼ | ▼ | ▼ | ▼ |
| 500x200 | ▼ | ▼ | ▼ | ▼ | ▼ | ▼ |
| 600x200 | ▼ | ▼ | ▼ | ▼ | ▼ | ▼ |
| 800x200 | ▼ | ▼ | ▼ | ▼ | ▼ | ▼ |
| 1000x200 | ▼ | ▼ | ▼ | ▼ | ▼ | ▼ |