



Description

Air jets with horizontal aluminium fixed bars with 0° or 15° deflection.

Characteristics

Material: aluminium.
Finish: natural anodised.
Installation: clip fastening for EBL 20 and EBL 21 and fork clip fastening for EBL 22.

Max length achievable in one piece: 2000 mm.

Use

Air jets used in air conditioning and ventilation systems for both supply and exhaust.

They can be installed on the ceiling, on the wall and on the floor in non-walkable areas.

They are also used as grilles in fan coils.

Models

EBL20/0: with frame and front fixed bars with 0° deflection;
EBL20/15: with frame and front fixed bars with 15° deflection;
EBL21/0: with frame, front fixed bars with 0° deflection and adjustable rear blades;
EBL21/15: with frame, front fixed bars with 15° deflection and adjustable rear blades;
EBL22/0: without frame, only fixed bars with 0° deflection;
EBL22/15: without frame, only fixed bars with 15° deflection.

Accessories

- EPZ galvanised plenum;
- EPI insulated plenum;
- SC galvanised steel regulation damper with blades with opposing movement;
- CT galvanised steel counter-frame to set into wall;
- fork clips for EBL 22

On request

Painting in different RAL colours.
Holes on frame for installation with screws.
Removable finned pack (EBL 20 version only in special construction with 40mm deep frame).
Continuous EBL 20/0 and EBL 20/15 for lengths greater than 2000 mm with the possibility of also adding inspection doors.

On request, continuous EBL 20/0 or EBL20/15 inspection doors.

Operating data

Vk: effective speed (m/s)

m³/h: flow rate

Pa: pressure drops in Pascal

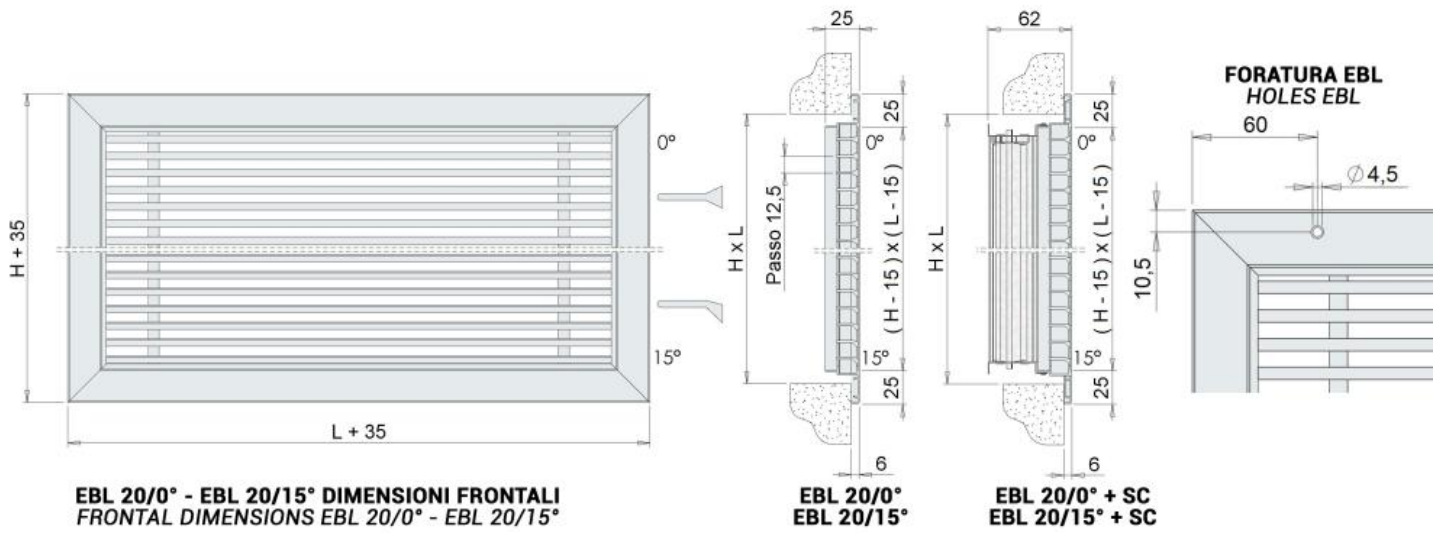
L1 (m): air throw referring to a terminal velocity Vt= 0.25 m/s and with a temperature differential of 10/12°C, installed near the ceiling (not beyond 3 m); for greater distances, correct the air throw by multiplying it by 0.7

dB(A): noise level

All dimensions are expressed in mm.

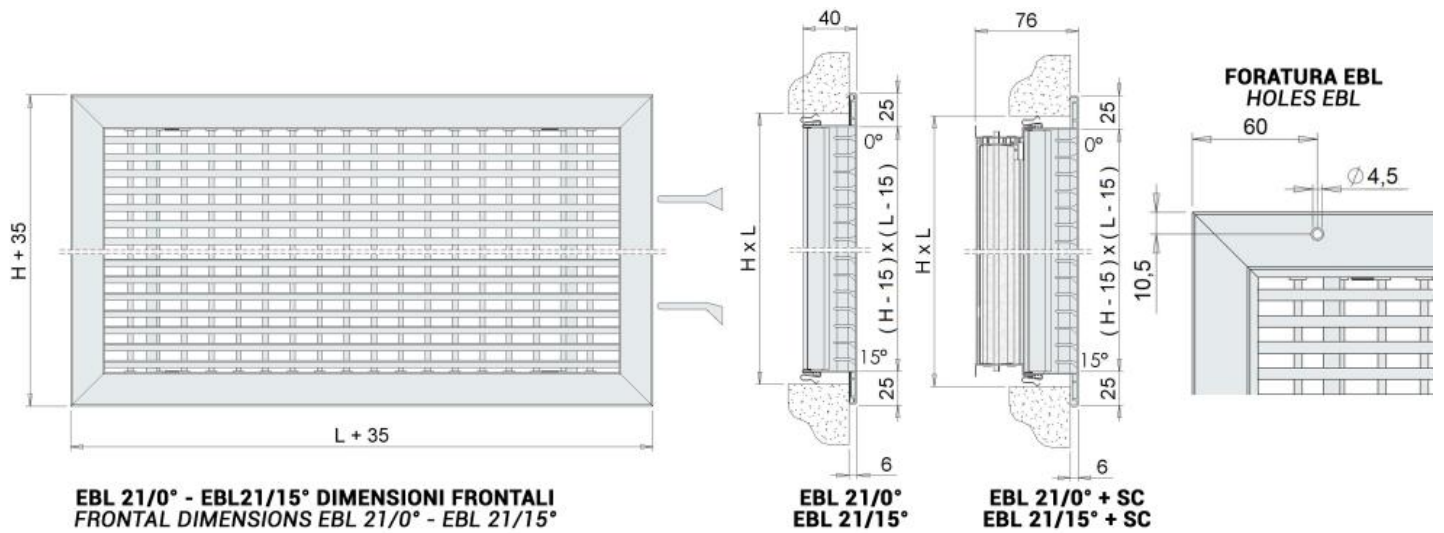
dimension LxH	effective cross-section m ²	Vk 3 m/s		Vk 4 m/s		Vk 5 m/s	
		m ³ /h	L1	m ³ /h	L1	m ³ /h	L1
400x75	0,015	160	2,8	213	3,8	266	4,7
500x75	0,019	201	3	268	3,9	335	4,9
600x75	0,022	243	3,1	323	4,1	404	5,1
800x75	0,030	326	3,3	434	4,3	543	5,4
1000x75	0,038	408	3,4	545	4,5	681	5,7
400x100	0,020	216	2,9	292	3,8	365	4,8
500x100	0,026	276	3	367	4	459	5
600x100	0,031	332	3,1	443	4,2	554	5,2
800x100	0,041	446	3,3	595	4,4	743	5,5
1000x100	0,052	560	3,5	746	4,6	933	5,8
400x125	0,026	278	2,9	370	3,9	463	4,9
500x125	0,032	350	3,1	467	4,1	583	5,1
600x125	0,039	422	3,2	563	4,2	703	5,3
800x125	0,052	566	3,4	755	4,5	944	5,6
1000x125	0,066	711	3,5	947	4,7	1184	5,9
400x150	0,031	337	3	449	4	561	5
500x150	0,039	424	3,1	566	4,2	707	5,2
600x150	0,047	512	3,3	682	4,3	853	5,4
800x150	0,064	687	3,4	916	4,6	1145	5,7
1000x150	0,080	862	3,6	1149	4,8	1436	6
400x200	0,042	455	3,1	607	4,2	758	5,2
500x200	0,053	573	3,3	764	4,4	955	5,4
600x200	0,064	691	3,4	922	4,5	1152	5,6
800x200	0,086	927	3,6	1237	4,8	1546	6
1000x200	0,108	1164	3,8	1552	5	1940	6,3
600x300	0,097	1050	3,6	1400	4,8	1750	6
800x300	0,130	1409	3,8	1879	5,1	2348	6,4
1000x300	0,164	1768	4	2357	5,3	2947	6,7
Pa		5		10		15	
dB(A)		25 / 32		33 / 39		38 / 44	

EBL 20/0° EBL 20/15° dimensions



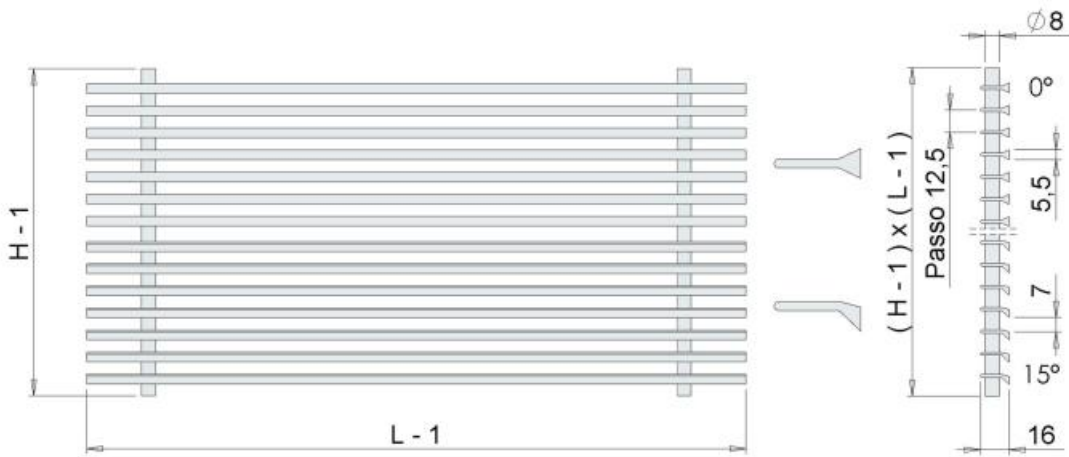
Holes on request.

EBL 21/0° EBL 21/15° dimensions



Holes on request.

EBL 22/0° EBL 22/15° dimensions



EBL 22/0° - EBL22/15° DIMENSIONI FRONTALI
FRONTAL DIMENSIONS EBL 22/0° - EBL 22/15°

EBL 22/0°
EBL22/15°

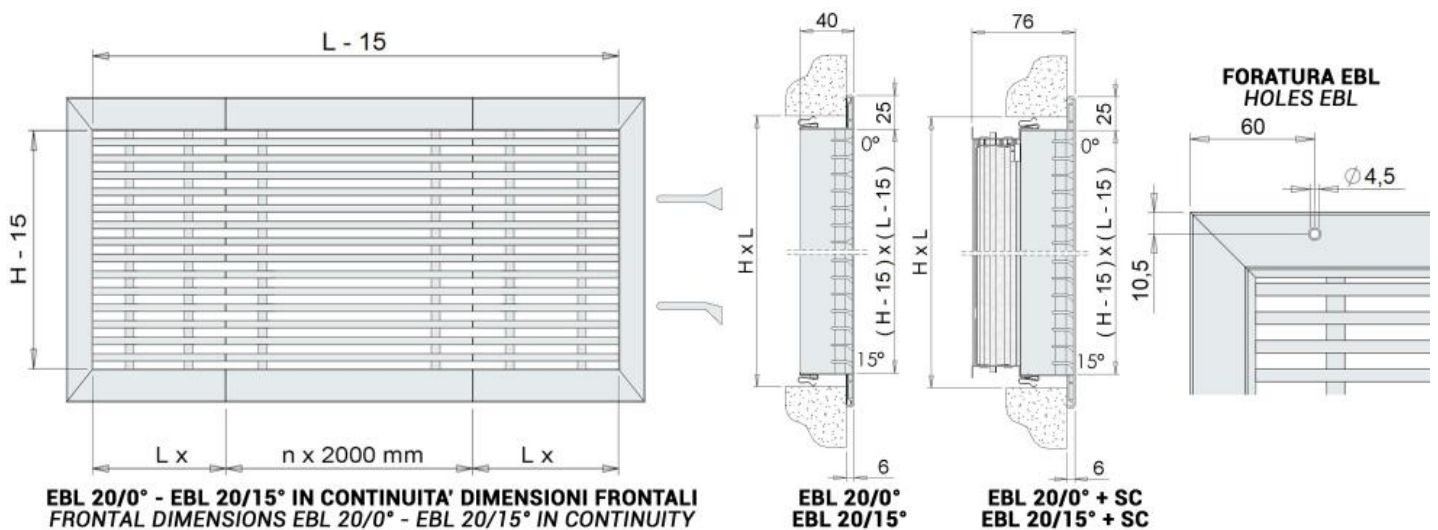
Fork clips with plate for EBL 22/0° EBL 22/15°.

Model	Length	Number of vertical ducts	Number of forks
	L		
EBL 22/0° EBL 22/15°	up to 502 mm	2	4
	from 503 mm to 901 mm	3	6
	from 902 mm to 1277 mm	4	8
	from 1278 mm to 1577 mm	5	10
	from 1578 mm to 1877 mm	6	12
	from 1878 mm to 2000 mm	7	14



Continuous EBL 20/0° EBL 20/15° dimensions

- Length L ≤ 2000 mm in one piece;
- Length L > 2000 mm ≤ 4000 mm: in two parts of length L/2;
- Length L > 4000 mm: in a number of central parts of length L = 2000 and two end parts of length Lx > 1000 mm < 2000 mm.

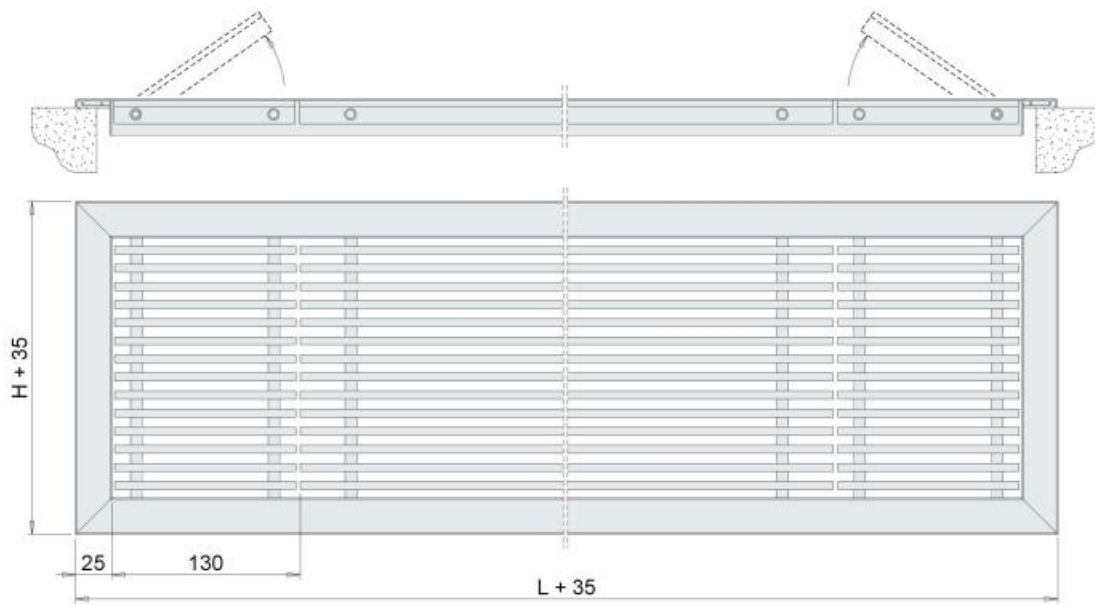


EBL 20/0° - EBL 20/15° IN CONTINUITA' DIMENSIONI FRONTALI
FRONTAL DIMENSIONS EBL 20/0° - EBL 20/15° IN CONTINUITY

EBL 20/0°
EBL 20/15°

EBL 20/0° + SC
EBL 20/15° + SC

On request, inspection doors for continuous EBL 20-0 or 20-15.



SC regulation damper for EBL 20 and EBL 21

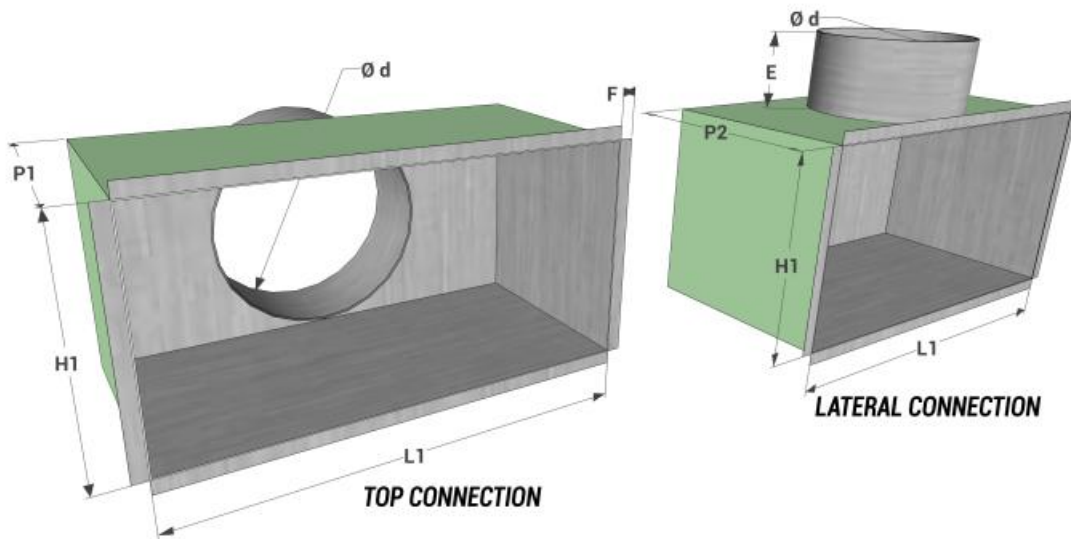
Galvanised steel regulation damper with blades with opposing movement.



CT counter-frame for EBL 20 and EBL 21



Plenum for EBL 20 and EBL 21



EBL price list

EBL 20 removable pack +20%.

Continuous EBL 20-0 EBL 20-15 prices on request.

dimension	air jets EBL20/0°	air jets EBL20/15°	air jets EBL21/0°	air jets EBL21/15°	air jets EBL22/0°	air jets EBL22/15°
LxH	euro	euro	euro	euro	euro	euro
400x75	▼	▼	▼	▼	▼	▼
500x75	▼	▼	▼	▼	▼	▼
600x75	▼	▼	▼	▼	▼	▼
800x75	▼	▼	▼	▼	▼	▼
1000x75	▼	▼	▼	▼	▼	▼
400x100	▼	▼	▼	▼	▼	▼
500x100	▼	▼	▼	▼	▼	▼
600x100	▼	▼	▼	▼	▼	▼
800x100	▼	▼	▼	▼	▼	▼
1000x100	▼	▼	▼	▼	▼	▼
400x125	▼	▼	▼	▼	▼	▼
500x125	▼	▼	▼	▼	▼	▼
600x125	▼	▼	▼	▼	▼	▼
800x125	▼	▼	▼	▼	▼	▼
1000x125	▼	▼	▼	▼	▼	▼
400x150	▼	▼	▼	▼	▼	▼
500x150	▼	▼	▼	▼	▼	▼
600x150	▼	▼	▼	▼	▼	▼
800x150	▼	▼	▼	▼	▼	▼
1000x150	▼	▼	▼	▼	▼	▼
400x200	▼	▼	▼	▼	▼	▼
500x200	▼	▼	▼	▼	▼	▼
600x200	▼	▼	▼	▼	▼	▼
800x200	▼	▼	▼	▼	▼	▼
1000x200	▼	▼	▼	▼	▼	▼
600x300	▼	▼	▼	▼	▼	▼
800x300	▼	▼	▼	▼	▼	▼
1000x300	▼	▼	▼	▼	▼	▼

model L1 x H1	top connection			lateral connection			E	F	model L1 x H1	top connection			lateral connection			E	F
	P1	no. connections	Ø d	P2	no. connections	Ø d				P1	no. connections	Ø d	P2	no. connections	Ø d		
400x75	-	-	-	150	2	98	80	12	1000x125	200	3	123	230	3	123	80	12
500x75	-	-	-	150	2	98	80	12	400x150	200	1	148	250	1	148	80	12
600x75	-	-	-	150	2	98	80	12	500x150	200	2	148	250	2	148	80	12
800x75	-	-	-	150	2	98	80	12	600x150	200	2	148	250	2	148	80	12
1000x75	-	-	-	150	2	98	80	12	800x150	200	2	148	250	2	148	80	12
400x100	200	2	98	200	2	98	80	12	1000x150	200	3	148	250	3	148	80	12
500x100	200	2	98	200	2	98	80	12	400x200	200	1	198	300	1	198	80	12
600x100	200	2	98	200	2	98	80	12	500x200	200	1	198	300	1	198	80	12
800x100	200	2	98	200	2	98	80	12	600x200	200	2	198	300	2	198	80	12
1000x100	200	3	98	200	3	98	80	12	800x200	200	2	198	300	2	198	80	12
400x125	200	1	123	230	1	123	80	12	1000x200	200	2	198	300	2	198	80	12
500x125	200	2	123	230	2	123	80	12	600x300	200	2	198	350	2	248	80	12
600x125	200	2	123	230	2	123	80	12	800x300	200	2	248	350	2	248	80	12
800x125	200	2	123	230	2	123	80	12	1000x300	200	2	248	350	2	248	80	12

EBL price list painted white RAL 9016

EBL 20 removable pack +20%.

Continuous EBL 20-0 EBL 20-15 prices on request.

dimension	air jets EBL20/0°	air jets EBL20/15°	air jets EBL21/0°	air jets EBL21/15°	air jets EBL22/0°	air jets EBL22/15°
LxH	euro	euro	euro	euro	euro	euro
400x75	▼	▼	▼	▼	▼	▼
500x75	▼	▼	▼	▼	▼	▼
600x75	▼	▼	▼	▼	▼	▼
800x75	▼	▼	▼	▼	▼	▼
1000x75	▼	▼	▼	▼	▼	▼
200x100	▼	▼	▼	▼	▼	▼
300x100	▼	▼	▼	▼	▼	▼
400x100	▼	▼	▼	▼	▼	▼
500x100	▼	▼	▼	▼	▼	▼
600x100	▼	▼	▼	▼	▼	▼
800x100	▼	▼	▼	▼	▼	▼
1000x100	▼	▼	▼	▼	▼	▼
400x125	▼	▼	▼	▼	▼	▼
500x125	▼	▼	▼	▼	▼	▼
600x125	▼	▼	▼	▼	▼	▼
800x125	▼	▼	▼	▼	▼	▼
1000x125	▼	▼	▼	▼	▼	▼
400x150	▼	▼	▼	▼	▼	▼
500x150	▼	▼	▼	▼	▼	▼
600x150	▼	▼	▼	▼	▼	▼
800x150	▼	▼	▼	▼	▼	▼
1000x150	▼	▼	▼	▼	▼	▼
400x200	▼	▼	▼	▼	▼	▼
500x200	▼	▼	▼	▼	▼	▼
600x200	▼	▼	▼	▼	▼	▼
800x200	▼	▼	▼	▼	▼	▼
1000x200	▼	▼	▼	▼	▼	▼
500x300	▼	▼	▼	▼	▼	▼
600x300	▼	▼	▼	▼	▼	▼
800x300	▼	▼	▼	▼	▼	▼
1000x300	▼	▼	▼	▼	▼	▼

Accessories

dimensions	top connection		lateral connection		damper SC	counter-frame CT
	EPZ galvanized plenum	EPI isolated plenum	EPZ galvanized plenum	EPI isolated plenum		
L1xH1	euro	euro	euro	euro	euro	euro
400x75	-	-	▼	▼	▼	▼
500x75	-	-	▼	▼	▼	▼
600x75	-	-	▼	▼	▼	▼
800x75	-	-	▼	▼	▼	▼
1000x75	-	-	▼	▼	▼	▼
400x100	▼	▼	▼	▼	▼	▼
500x100	▼	▼	▼	▼	▼	▼
600x100	▼	▼	▼	▼	▼	▼
800x100	▼	▼	▼	▼	▼	▼
1000x100	▼	▼	▼	▼	▼	▼
400x125	▼	▼	▼	▼	▼	▼
500x125	▼	▼	▼	▼	▼	▼
600x125	▼	▼	▼	▼	▼	▼
800x125	▼	▼	▼	▼	▼	▼
1000x125	▼	▼	▼	▼	▼	▼
400x150	▼	▼	▼	▼	▼	▼
500x150	▼	▼	▼	▼	▼	▼
600x150	▼	▼	▼	▼	▼	▼
800x150	▼	▼	▼	▼	▼	▼
1000x150	▼	▼	▼	▼	▼	▼
400x200	▼	▼	▼	▼	▼	▼
500x200	▼	▼	▼	▼	▼	▼
600x200	▼	▼	▼	▼	▼	▼
800x200	▼	▼	▼	▼	▼	▼
1000x200	▼	▼	▼	▼	▼	▼
600x300	▼	▼	▼	▼	▼	▼
800x300	▼	▼	▼	▼	▼	▼
1000x300	▼	▼	▼	▼	▼	▼

fork clips with plate EBL 22

Model	euro
fork clips	▼