

EDFL-P Linear diffusers with slots on panel



Description:

The linear diffusers of EDFL/BP serie can be used both to supply and to extract air in environments too much extended in terms of area, but with relative heights limited.

The supply version, equipped with adjustable deflectors for the orientation of the air flow, could be accessorized with sliding damper and/or equalizer. The extraction version, without deflectors, could be also accessorized with sliding damper and it is available also with filter (EDFL/B-P-FL); also, in this case, the filter is fixed by magnets, easily extractable through a book opening of the fins pack without the need to disassemble the diffuser.

The diffusers of EDFL/B-P are installed in offices, open spaces, banks, hotel hall, business centres, shops, courts etc.

They are built with extruded aluminium profile in order to achieve a highly aerodynamic design and esthetically pleasing, with a galvanized sheet steel panel. 1 to 6 slots can be made in the EDFL / B-P versions, and with 3 and 4 slits in the EDFL / B-P-FL filter holder version.

Standard painting of RAL 9016 diffusers with base powders of epoxy resins placed electrostatically and dried in the oven; on request they can be painted with other colors.

This type of painting is resistant to impact and abrasions, and keeps the characteristics unchanged over time aesthetic. Fixing the diffuser to the plenum is carried out by means of uncovered mounting bridges.

Charateristics:

Material: extruded aluminium profile and galvanized sheet steel panel

Standard surface finish: white RAL9016 painted

Fixing: with mounting bridges.

Installation height: from 2.5 to 3.1 m

Model:

EDFL / B-P 10 diffusers for air extraction on panel, white RAL9016 painted

EDFL / B-P 20 diffusers for air supply on panel white RAL9016 painted, with white deflectors

EDFL / B-P 30 diffusers for air extraction on panel, white RAL9016 painted, with sliding damper

EDFL / B-P 40 diffusers for air supply on panel white RAL9016 painted, with white deflectors and sliding damper.

EDFL / B-P 50 diffusers for air supply on panel white RAL9016 painted, with white deflectors, equalizer and sliding damper.

EDFL / B-P-FL diffusers for air extraction on panel with filter, white RAL 9016 painted

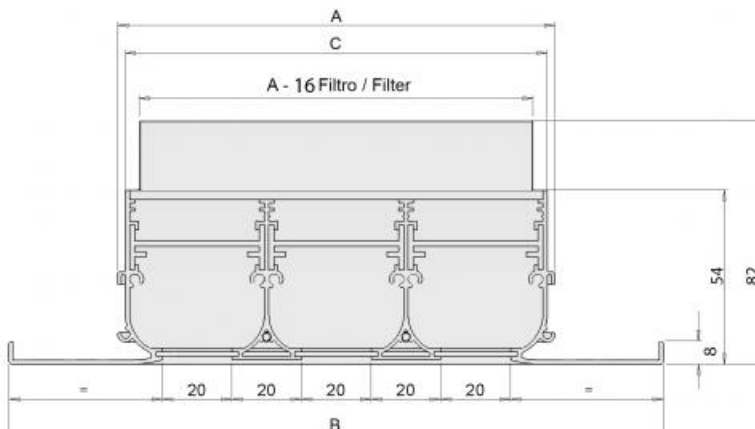


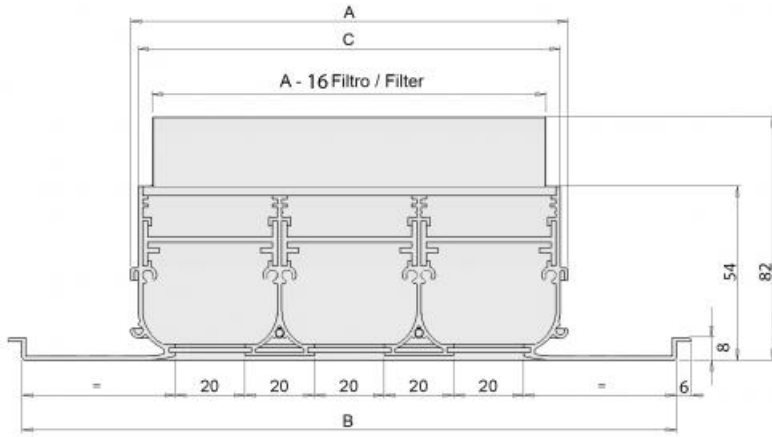
Diffuser dimensions:

Version of EDFL/B-P-FL with filter available with 3 and 4 slots

Number slot	A mm	C mm
1	46	41
2	86	81
3	126	121
4	166	161
5	206	201
6	246	241

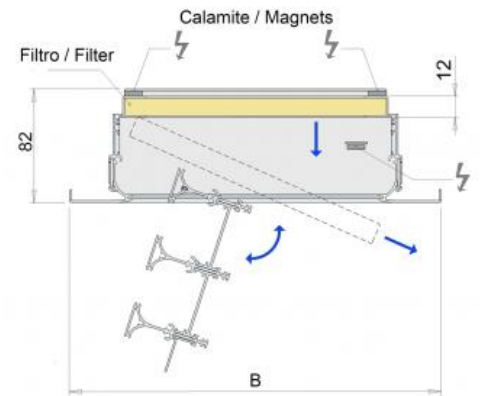
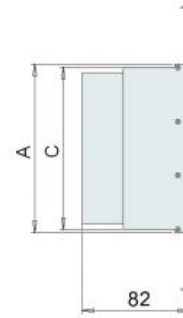
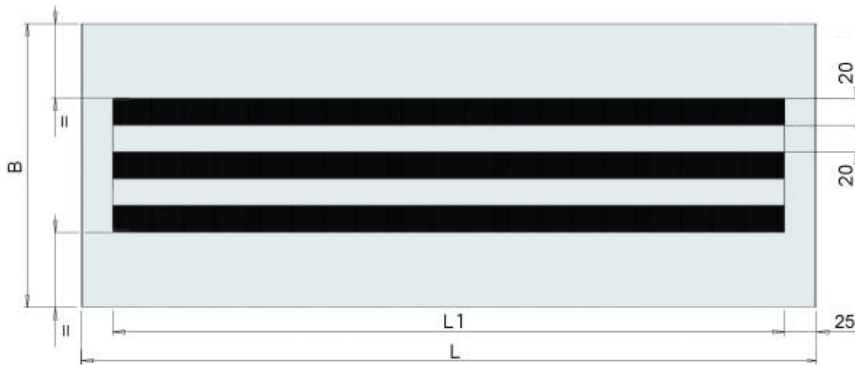
Standard version



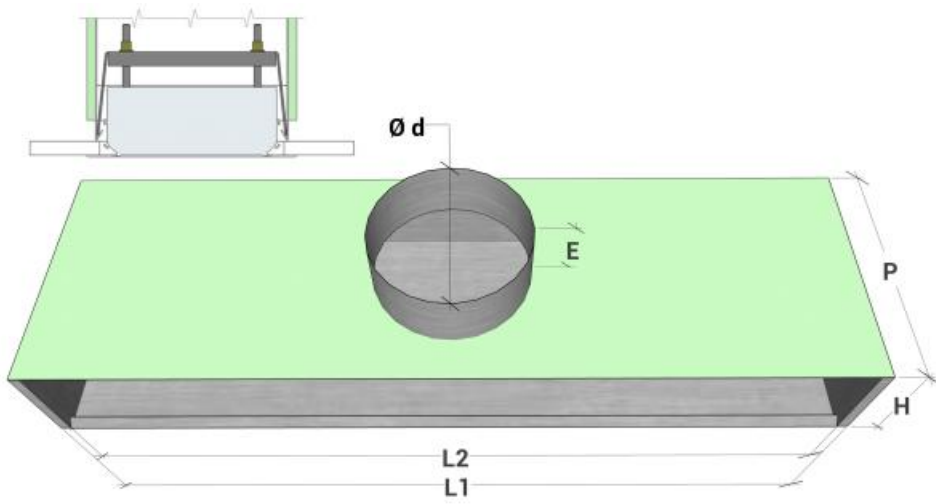


Panel dimensions:

L mm	L1 mm	B mm
600	550	300
900	850	300
1200	1150	300
1350	1300	300
600	550	600
1200	1150	600
675	625	675
1350	1300	675



Plenum dimensions and mounting system with fixing bridges



Slots number	L	Plenum dimensions						
		L1	L2	Number of air cuts	Ø d	P	H	E
1 slot	800	845	815	1	98	300	58	80
	1000	1045	1015	1				
	1500	1545	1515	2				
	2000	2045	2015	2				
2 slots	800	845	815	1	148	300	98	80
	1000	1045	1015	1				
	1500	1545	1515	2				
	2000	2045	2015	2				
3 slots	800	845	815	1	198	300	138	80
	1000	1045	1015	1				
	1500	1545	1515	2				
	2000	2045	2015	2				
4 slots	800	845	815	1	198	300	178	80
	1000	1045	1015	1				
	1500	1545	1515	2				
	2000	2045	2015	2				
5 slots	800	845	815	1	198	300	218	80
	1000	1045	1015	1				
	1500	1545	1515	2				
	2000	2045	2015	2				
6 slots	800	845	815	1	198	300	258	80
	1000	1045	1015	1				
	1500	1545	1515	2				
	2000	2045	2015	2				

EDFL-P operating data:

No. of slots	Air speed m/s	Pannel dimension L x B - Air flow rate m ³ /h				
		600 x 300	900 x 300	1200 x 300	1350 x 300	675 x 675
		600 x 600		1200 x 600	1350 x 675	
1	2	40	60	80	90	45
	3	55	85	115	130	60
	4	70	110	150	170	80
2	2	88	136	185	210	100
	3	125	195	265	300	145
	4	165	255	345	390	185
3	2	145	220	300	340	165
	3	210	325	435	495	240
	4	275	425	575	650	310
4	2	205	315	425	480	235
	3	310	475	645	730	350
	4	415	635	860	975	470
5	2	255	395	530	600	295
	3	390	595	805	910	435
	4	520	790	1075	1210	590
6	2	305	475	635	720	350
	3	470	715	965	1095	525
	4	625	950	1290	1460	700

EDFL--P-FL Operating data:

No. of slots	Air speed m/s	Pannel dimension L x B - Air flow rate m ³ /h				
		600 x 300	900 x 300	1200 x 300	1350 x 300	675 x 675
		600 x 600		1200 x 600	1350 x 675	
3	1,5	290	470	650	735	335
	2	385	625	860	980	445
4	1,5	395	640	880	1000	455
	2	530	850	1175	1340	610

Price list

number slots	EDFL/B-P 10	EDFL/B-P 20	EDFL/B-P 30	EDFL/B-P 40	EDFL/B-P 50	EDFL/B-P FL
1	a.r.	a.r.	a.r.	a.r.	a.r.	-
2	a.r.	a.r.	a.r.	a.r.	a.r.	-
3	a.r.	a.r.	a.r.	a.r.	a.r.	a.r.
4	a.r.	a.r.	a.r.	a.r.	a.r.	a.r.
5	a.r.	a.r.	a.r.	a.r.	a.r.	-
6	a.r.	a.r.	a.r.	a.r.	a.r.	-