

CT Counter-frame for air jets and grilles

Description

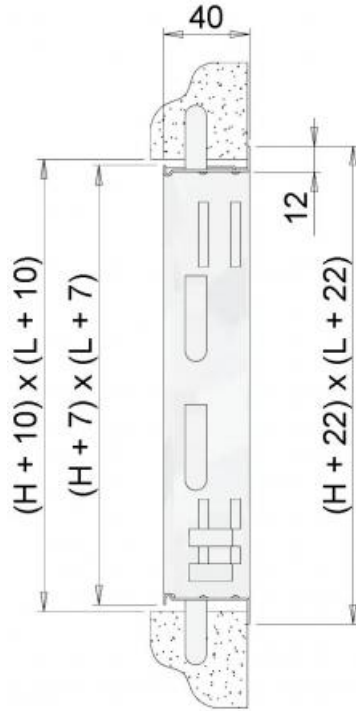
Galvanised steel counter-frames for air jets and grilles. The counter-frames are equipped with special brackets that are bent during installation to anchor them to the walls.

Use

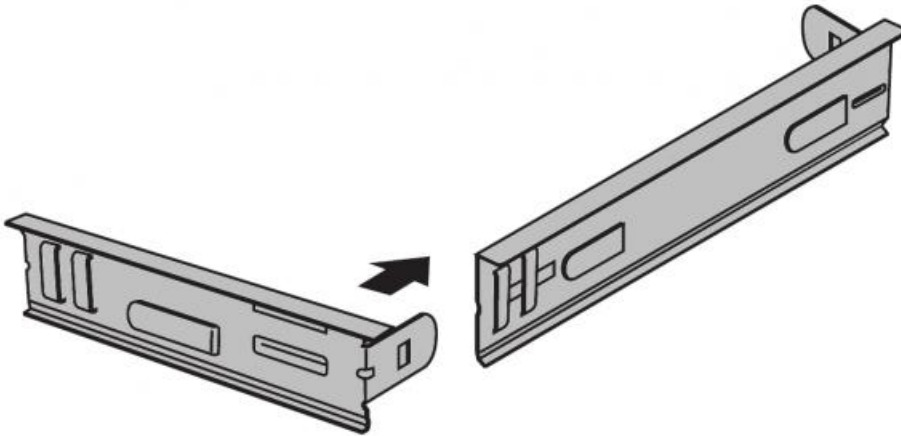
Accessory compatible with EDC series diffusers, EBA - EBV - EBL series air jets and EGA - EGQ - EGF series grilles.

Notes

The frame is supplied disassembled and must be assembled on site.



Assembly detail:



Price list

H	CT counter-frame									
	200	300	400	500	600	700	800	900	1000	1200
	L									
	euro	euro	euro	euro	euro	euro	euro	euro	euro	euro
100	✓	✓	✓	✓	✓	✓	✓	✓	✓	✓
150	✓	✓	✓	✓	✓	✓	✓	✓	✓	✓
200	✓	✓	✓	✓	✓	✓	✓	✓	✓	✓
300	✓	✓	✓	✓	✓	✓	✓	✓	✓	✓
400	✓	✓	✓	✓	✓	✓	✓	✓	✓	✓
500	✓	✓	✓	✓	✓	✓	✓	✓	✓	✓
600	✓	✓	✓	✓	✓	✓	✓	✓	✓	✓
800	✓	✓	✓	✓	✓	✓	✓	✓	✓	✓
1000	✓	✓	✓	✓	✓	✓	✓	✓	✓	✓