

EBLF Linear grilles with horizontal fixed bars without frame



Description

Linear grilles with horizontal aluminium fixed bars with 0° or 15° deflection.

Characteristics

Material: aluminium.
Finish: anodized.
Installation: fastening with brackets;

Use

Grilles used in air conditioning and ventilation systems for both supply and return.

Installation

For flush installation for 12.5 mm thick plasterboard walls.
For flush installation for masonry walls.

Models

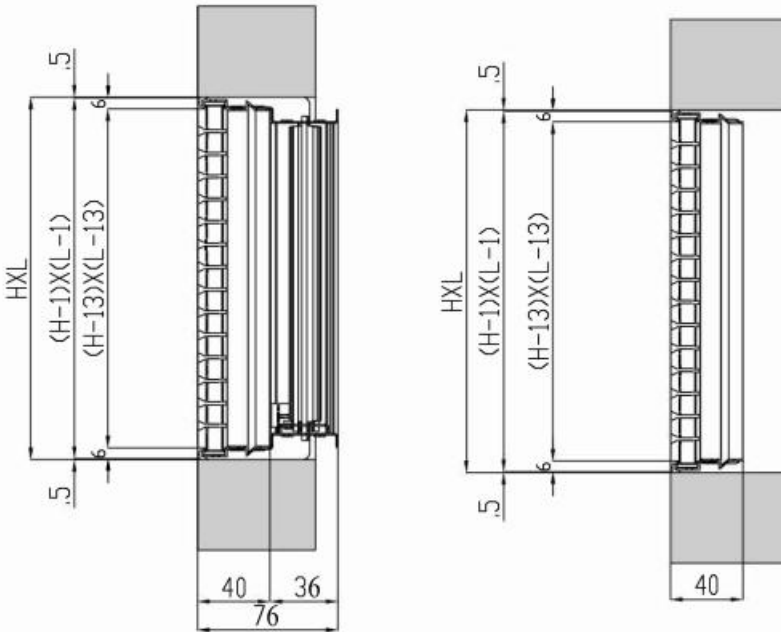
EBLF20/0: with frame and front fixed bars with 0° deflection;
EBLF20/15: with frame and front fixed bars with 15° deflection;

Accessories

- SC galvanised steel regulation damper with blades with opposing movement;

On request

Painting in different RAL colours.



Operating data

Vk: effective speed (m/s)

m³/h: flow rate

Pa: pressure drops in Pascal

L1 (m): air throw referring to a terminal velocity Vt= 0.25 m/s, installed near the ceiling (not beyond 3 m); for greater distances, correct the air throw by multiplying it by 0.7

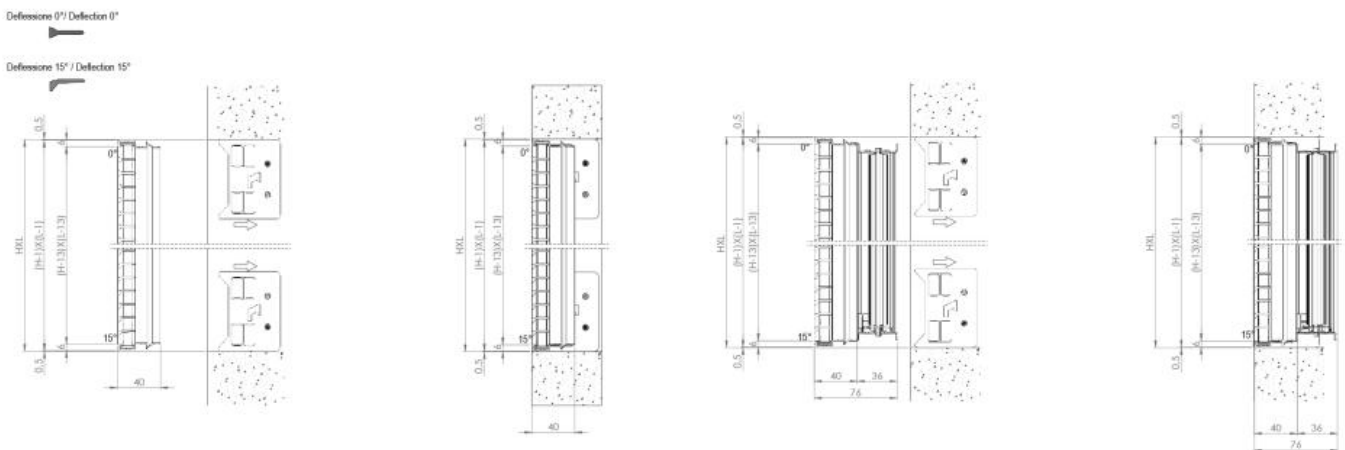
dB(A): noise level

All dimensions are expressed in mm.

dimension LxH	effective cross-section m ²	Vk 2 m/s		Vk 3 m/s		Vk 4 m/s	
		m ³ /h	L1	m ³ /h	L1	m ³ /h	L1
400x75	0,015	108	2,4	160	3,6	213	4,8
500x75	0,019	197	2,5	201	3,8	268	5,1
600x75	0,022	158	2,6	243	3,9	323	5,2
800x75	0,030	216	2,8	326	4,2	434	5,6
1000x75	0,038	274	2,9	408	4,4	545	5,8
1200x75	0,046	331	3	497	4,5	662	6
400x100	0,020	144	2,6	216	3,8	292	5,1
500x100	0,026	230	3,3	276	4,1	367	5,4
600x100	0,031	281	3,5	332	4,2	443	5,6
800x100	0,041	374	3,8	446	4,4	595	5,9
1000x100	0,052	475	3,9	560	4,7	746	6,2
1200x100	0,062	590	2,6	670	4,8	893	6,4
400x125	0,026	187	2,7	278	4,1	370	5,4
500x125	0,032	230	2,8	350	4,2	467	5,6
600x125	0,039	281	2,9	422	4,4	563	5,9
800x125	0,052	374	3,1	566	4,7	755	6,2
1000x125	0,066	475	3,3	711	4,9	947	6,5
1200x125	0,082	590	3,4	886	5,1	1149	6,9
400x150	0,031	223	2,8	337	4,2	449	5,6
500x150	0,039	281	2,9	424	4,4	566	5,9
600x150	0,047	338	3	512	4,6	682	6,1
800x150	0,064	461	3,2	687	4,9	916	6,5
1000x150	0,080	576	3,4	862	5,1	1149	6,8
1200x150	0,096	691	3,5	1037	5,2	1382	7
400x200	0,042	302	3	455	4,5	607	6
500x200	0,053	380	3,1	573	4,7	764	6,2
600x200	0,064	461	3,2	691	4,9	922	6,5
800x200	0,086	619	3,4	927	5,2	1237	6,9
1000x200	0,108	778	3,6	1164	5,4	1552	7,2
1200x200	0,130	936	3,7	1404	5,6	1872	7,4
400x300	0,064	461	3,2	691	4,9	922	6,3
500x300	0,081	583	3,3	875	5,1	1166	6,6
600x300	0,097	698	3,5	1050	5,3	1400	7
800x300	0,130	936	3,7	1409	5,6	1879	7,5
1000x300	0,164	1181	3,9	1768	5,9	2357	7,8
1200x300	0,198	1426	4,1	2138	6,2	2851	8,3
400x400	0,084	603	3,4	904	5,1	1205	6,9
500x400	0,105	753	3,6	1130	5,4	1507	7,2
600x400	0,126	904	3,7	1356	5,6	1808	7,4
800x400	0,167	1205	3,9	1808	5,9	2411	7,9
1000x400	0,209	1507	4,1	2260	6,2	3013	8,2
1200x400	0,251	1808	7,1	2712	6,4	3616	8,5
Pa		3		7		12	
dB(A)		15/20		28/32		38 / 42	

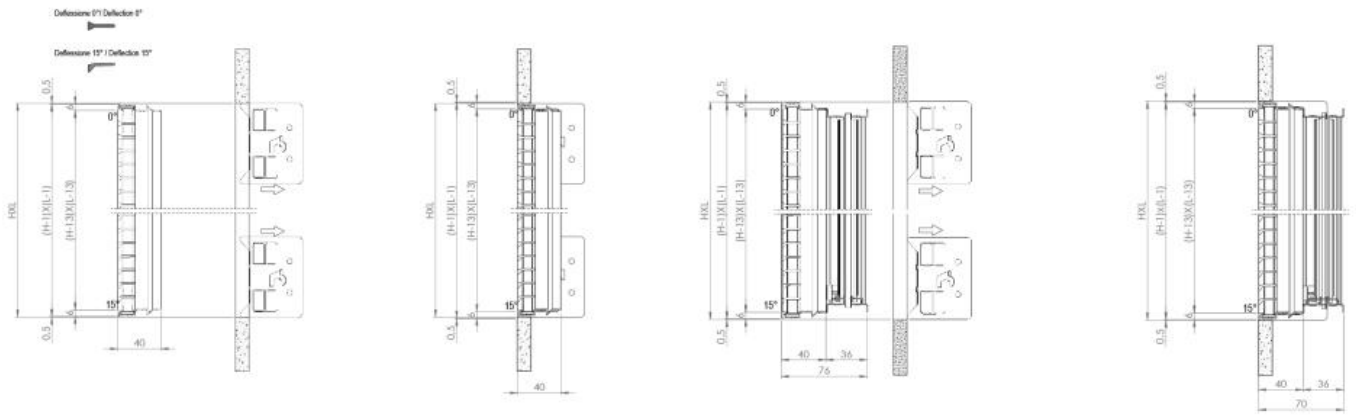
EBLF 20/0° EBLF 20/15° dimensions with and without damper on masonry wall

For installation you need the fixing kit consisting of 4 brackets, supplied with the article.
 N.B. for installation on a masonry wall, the heights 75 mm, 100 mm are not available.



EBLF 20/0° EBLF 20/15° dimensions with and without damper on plasterboard wall

For installation you need the fixing kit consisting of 4 brackets, not supplied with the article.



SC regulation damper

Galvanised steel regulation damper with blades with opposing movement.

Maximum dimensions L x H for construction in one piece 1000 mm x 600 mm.



EBLF price list

dimension LxH	EBLF 20/0°	EBLF 20/15°	SC regulation damper
	euro	euro	euro
400x75	▼	▼	▼
500x75	▼	▼	▼
600x75	▼	▼	▼
800x75	▼	▼	▼
1000x75	▼	▼	▼
1200x75	▼	▼	▼
400x100	▼	▼	▼
500x100	▼	▼	▼
600x100	▼	▼	▼
800x100	▼	▼	▼
1000x100	▼	▼	▼
1200x100	▼	▼	▼
400x125	▼	▼	▼
500x125	▼	▼	▼
600x125	▼	▼	▼
800x125	▼	▼	▼
1000x125	▼	▼	▼
1200x125	▼	▼	▼
400x150	▼	▼	▼
500x150	▼	▼	▼
600x150	▼	▼	▼
800x150	▼	▼	▼
1000x150	▼	▼	▼
1200x150	▼	▼	▼
400x200	▼	▼	▼
500x200	▼	▼	▼
600x200	▼	▼	▼
800x200	▼	▼	▼
1000x200	▼	▼	▼
1200x200	▼	▼	▼
400x300	▼	▼	▼
500x300	▼	▼	▼
600x300	▼	▼	▼
800x300	▼	▼	▼
1000x300	▼	▼	▼
1200x300	▼	▼	▼
400x400	▼	▼	▼
500x400	▼	▼	▼
600x400	▼	▼	▼
800x400	▼	▼	▼
1000x400	▼	▼	▼
1200x400	▼	▼	▼

EBLF price list painted white RAL 9016

dimension LxH	EBLFB 20/0°	EBLFB 20/15°	SC serranda di taratura
	euro	euro	euro
400x75	▼	▼	▼
500x75	▼	▼	▼
600x75	▼	▼	▼
800x75	▼	▼	▼
1000x75	▼	▼	▼
1200x75	▼	▼	▼
400x100	▼	▼	▼
500x100	▼	▼	▼
600x100	▼	▼	▼
800x100	▼	▼	▼
1000x100	▼	▼	▼
1200x100	▼	▼	▼
400x125	▼	▼	▼
500x125	▼	▼	▼
600x125	▼	▼	▼
800x125	▼	▼	▼
1000x125	▼	▼	▼
1200x125	▼	▼	▼
400x150	▼	▼	▼
500x150	▼	▼	▼
600x150	▼	▼	▼
800x150	▼	▼	▼
1000x150	▼	▼	▼
1200x150	▼	▼	▼
400x200	▼	▼	▼
500x200	▼	▼	▼
600x200	▼	▼	▼
800x200	▼	▼	▼
1000x200	▼	▼	▼
1200x200	▼	▼	▼
400x300	▼	▼	▼
500x300	▼	▼	▼
600x300	▼	▼	▼
800x300	▼	▼	▼
1000x300	▼	▼	▼
1200x300	▼	▼	▼
400x400	▼	▼	▼
500x400	▼	▼	▼
600x400	▼	▼	▼
800x400	▼	▼	▼
1000x400	▼	▼	▼
1200x400	▼	▼	▼

Replacement fixing kit

For installation you need the fixing kit consisting of 4 brackets.

Description	Euro
Fixing kit	▼