

EGQ-PUSH Exhaust egg crate grille 13x13 mm with filter



Description:

Exhaust egg crate grille 13x13 mm pitch for false ceiling installation, with double frame with hinged opening and push-pull system for easy storage and replacement of the filter.

Characteristics:

Material: aluminium
 Finish: anodized aluminium
 Installation: fixing by visible screws
 Opening Closing: Push-pull system

Use:

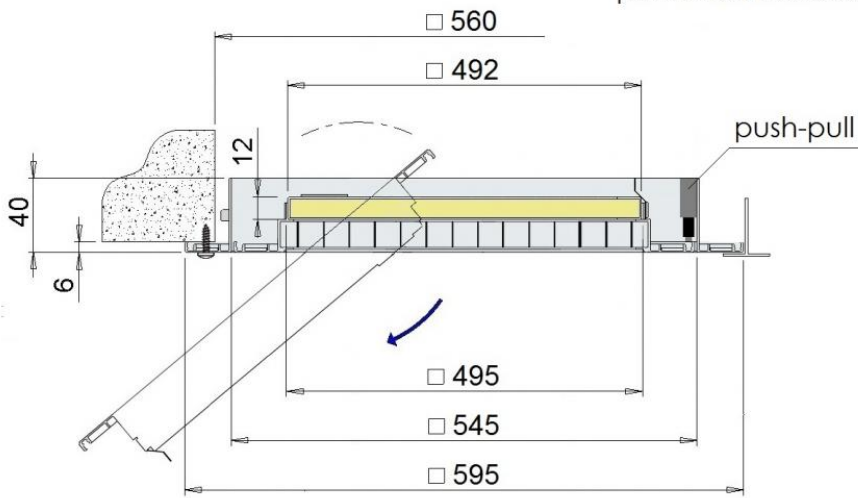
Suitable for the external air intake or the indoor air extraction where a pre-filtration of dust is needed. We recommend not to exceed the front speed of 1,5 m/s. Initial pressure drop lower than 40Pa

On demand:

- Closing with a screws or magnets
- Special dimensions
- White painting or different RAL colors
- Plenum box

Installazioni a soffitto con viti su cornice esterna

Installazioni in appoggio su struttura per controsoffitti pannellati 600x600



Operating data and price list

white painted RAL 9016 + 20%

model	external frame size	Front speed on the filter	air flow rate	euro
	mm	m/s	m ³ /h	
EGQ-PUSH	595x595	1,5	1180	145,29 ✓
		2	1570	