



Description

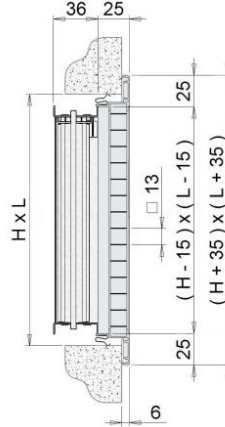
Aluminium exhaust grilles with frame and egg crate grille 13x13 mm pitch.

Characteristics

Material: aluminium.

Finish: natural anodised.

Installation: fastening to wall with clips (holes for screws for ceiling installation on request).



Use

For air exhaust, especially on ceiling. Its nice design and large effective cross-section make it ideal for civil installations.

Models

EGQ Egg crate grilles.

EGQ-E false ceiling version 595x595 mm (external frame) painted white RAL 9016.

Accessories

- EPZ galvanised plenum;
- EPI insulated plenum;
- SC galvanised steel regulation damper with blades with opposing movement;
- CT galvanised steel counter-frame to set into wall.

Special versions

Egg crate grille 13x13 mm with a 45° inclination (EGQ-I)

Effective cross-section

H	L							
	200	300	400	500	600	800	1000	1200
	effective cross-section m ²							
100	0,014	0,020	0,026	0,035	0,044	0,058	0,070	0,084
150	0,022	0,032	0,045	0,058	0,070	0,096	0,120	0,144
200	0,030	0,046	0,058	0,076	0,092	0,130	0,170	0,204
300	0,046	0,070	0,092	0,126	0,156	0,206	0,258	0,354
400	0,058	0,092	0,130	0,170	0,210	0,288	0,356	0,427
500	0,076	0,126	0,170	0,205	0,258	0,364	0,450	0,540
600	0,092	0,156	0,210	0,258	0,328	0,440	0,550	0,660
800	0,130	0,206	0,288	0,364	0,440	0,580	0,720	0,864
1000	0,170	0,258	0,356	0,450	0,550	0,720	0,890	1,068

Operating data

Vk: effective speed (m/s)

m³/h: flow rate

Pa: pressure drops in Pascal

dB(A): noise level

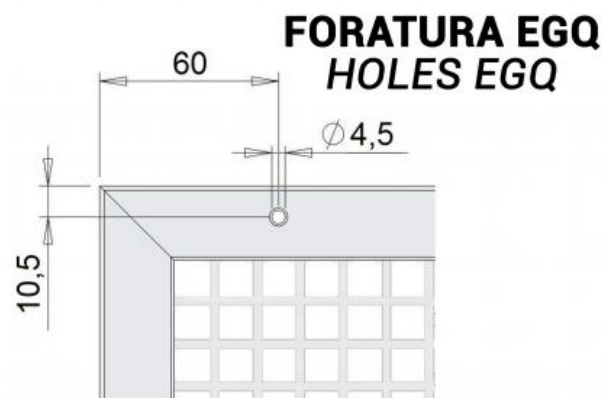
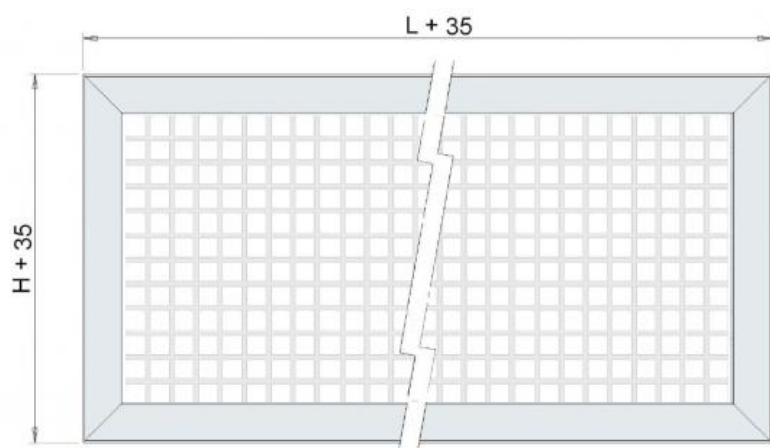
L: base

H: height

All dimensions are expressed in mm.

H	Vk m/s	L								Pa	dB(A)
		200	300	400	500	600	800	1000	1200		
		flow rate m ³ /h									
100	1	50	72	94	126	158	208	252	302	5	<20
	3	150	216	280	378	475	626	756	907	12	28/32
	5	250	360	282	630	790	1040	1260	1512	20	35/40
150	1	80	115	162	209	252	345	432	518	5	<20
	3	240	345	486	627	756	1035	1296	1555	12	28/32
	5	400	575	810	1045	1260	1725	2160	2592	20	35/40
200	1	108	166	209	274	330	468	612	735	5	<20
	3	234	498	627	822	990	1404	1836	2205	12	24/26
	5	540	830	1045	1370	1650	2340	3060	3672	20	35/40
300	1	166	252	330	454	560	742	930	1195	5	<20
	3	498	756	990	1362	1680	2226	2790	3465	12	24/26
	5	830	1260	1650	2270	2800	3710	4650	5724	20	35/40
400	1	209	330	468	612	756	1037	1282	1537	5	<20
	3	627	990	1404	1836	2268	3111	3840	4612	12	24/26
	5	1045	1650	2340	3060	3780	5185	6410	7686	20	35/40
500	1	274	454	612	742	930	1310	1620	1945	5	<20
	3	822	1362	1836	2226	2790	3930	4860	5832	12	24/26
	5	1370	2270	3060	3710	4650	6550	8100	9720	20	35/40
600	1	330	560	756	930	1180	1584	1980	2376	5	<20
	3	990	1680	2268	2790	3540	4752	5940	7128	12	24/26
	5	1650	2800	3780	4650	5900	7920	9900	11880	20	35/40
800	1	468	742	1037	1310	1584	2088	2592	3110	5	<20
	3	1404	2226	3111	3930	4752	6264	7776	9392	12	24/26
	5	2340	3710	5185	6550	7920	10440	12960	15552	20	35/40
1000	1	612	930	1282	1620	1980	2592	3204	3845	5	<20
	3	1836	2790	3846	4860	5940	7776	9612	11535	12	24/26
	5	3060	4650	6410	8100	9900	12960	16020	19224	20	35/40

Detail of holes



SC regulation damper

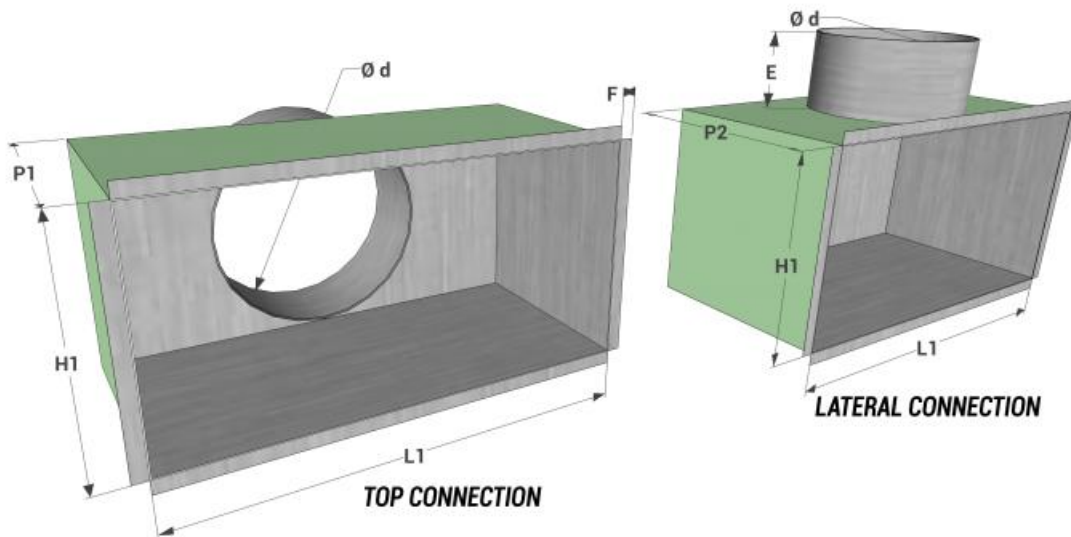
Galvanised steel regulation damper with blades with opposing movement.
Maximum dimensions L x H for construction in one piece 1000 mm x 600 mm.



CT counter-frame



Plenum



model L1 x H1	top connection			lateral connection			E	F	model L1 x H1	top connection			lateral connection			E	F
	P1	no. connections	Ø d	P2	no. connections	Ø d				P1	no. connections	Ø d	P2	no. connections	Ø d		
200x100	200	1	98	200	1	98	80	12	400x200	200	1	198	300	1	198	80	12
300x100	200	1	98	200	1	98	80	12	500x200	200	1	198	300	1	198	80	12
400x100	200	2	98	200	2	98	80	12	600x200	200	2	198	300	2	198	80	12
500x100	200	2	98	200	2	98	80	12	800x200	200	2	198	300	2	198	80	12
600x100	200	2	98	200	2	98	80	12	1000x200	200	2	198	300	2	198	80	12
800x100	200	2	98	200	2	98	80	12	300x300	200	1	248	350	1	248	80	12
1000x100	200	3	98	200	3	98	80	12	400x300	200	1	248	350	1	248	80	12
200x150	200	1	148	200	1	148	80	12	500x300	200	1	248	350	1	248	80	12
300x150	200	1	148	250	1	148	80	12	600x300	200	2	198	350	2	248	80	12
400x150	200	1	148	250	1	148	80	12	800x300	200	2	248	350	2	248	80	12
500x150	200	2	148	250	2	148	80	12	1000x300	200	2	248	350	2	248	80	12
600x150	200	2	148	250	2	148	80	12	400x400	200	1	298	350	1	298	80	12
800x150	200	2	148	250	2	148	80	12	500x400	200	1	298	350	1	298	80	12
1000x150	200	3	148	250	3	148	80	12	600x400	200	2	198	350	2	248	80	12
200x200	200	1	198	300	1	198	80	12	800x400	200	2	298	350	2	298	80	12
300x200	200	1	198	300	1	198	80	12	1000x400	200	2	298	400	2	298	80	12

Price list

Notes:
 - painted white RAL 9016 + 20%;
 - EGQ-I prices on request.

H	EGQ grille							
	L							
	200	300	400	500	600	800	1000	1200
	euro	euro	euro	euro	euro	euro	euro	euro
100	16,53	18,99	21,47	27,22	31,38	38,77	49,53	58,60
150	19,79	23,93	28,89	34,63	40,46	49,53	65,18	78,39
200	23,10	29,70	37,13	43,73	49,53	61,07	80,07	97,40
300	29,70	39,61	49,53	56,12	68,50	89,14	113,06	130,40
400	37,13	49,53	61,89	73,45	86,66	113,06	141,12	165,03
500	43,73	56,12	73,45	89,14	108,12	141,12	166,70	194,74
600	49,53	68,50	86,66	108,12	123,78	162,57	197,21	227,75
800	61,07	89,14	113,06	141,12	162,57	207,97	257,50	303,71
1000	80,07	113,06	141,12	166,70	197,21	257,50	321,83	379,61

model	euro
EGQ-E 595x595 painted white RAL 9016	94,16
EGQ-E 595x595 ALUMINIUM	75,93

Accessories price list

H	SC damper							
	L							
	200	300	400	500	600	800	1000	1200
	euro	euro	euro	euro	euro	euro	euro	euro
100	13,21	14,39	17,21	20,54	23,50	29,54	36,25	a.r.
150	14,57	16,86	19,86	23,00	26,21	33,57	40,46	a.r.
200	15,96	22,39	24,57	28,86	33,25	40,75	45,48	a.r.
300	22,39	27,79	34,39	37,86	41,39	50,21	60,54	a.r.
400	24,57	34,39	39,39	47,57	51,14	62,57	74,25	a.r.
500	28,86	37,86	47,57	61,21	63,82	75,89	95,79	a.r.
600	33,25	41,39	51,14	63,82	76,00	91,64	114,64	a.r.
800	40,75	50,21	62,57	75,89	91,64	a.r.	a.r.	a.r.
1000	45,48	60,54	74,25	95,79	114,64	a.r.	a.r.	a.r.

CT counter-frame								
H	L							
	200	300	400	500	600	800	1000	1200
	euro	euro	euro	euro	euro	euro	euro	euro
100	14,13 v	14,13 v	15,68 v	17,25 v	18,85 v	22,59 v	25,76 v	34,51 v
150	14,13 v	15,68 v	17,25 v	20,69 v	22,59 v	25,76 v	29,23 v	a.r. v
200	15,68 v	17,25 v	19,94 v	22,59 v	24,19 v	29,23 v	32,61 v	37,65 v
300	17,25 v	20,69 v	24,19 v	27,60 v	29,23 v	34,51 v	39,25 v	42,67 v
400	19,94 v	24,19 v	27,60 v	30,77 v	34,51 v	39,25 v	44,53 v	47,66 v
500	22,59 v	27,60 v	30,77 v	34,51 v	37,65 v	43,02 v	48,06 v	53,07 v
600	24,19 v	29,23 v	34,51 v	37,65 v	41,10 v	46,13 v	53,33 v	58,08 v
800	29,23 v	34,51 v	39,25 v	43,02 v	46,13 v	53,33 v	59,95 v	66,48 v
1000	32,61 v	39,25 v	44,53 v	48,06 v	53,33 v	59,95 v	74,94 v	a.r. v

dimensions	top connection		lateral connection		dimensions	top connection		lateral connection	
	EPZ galvanized plenum	EPI isolated plenum	EPZ galvanized plenum	EPI isolated plenum		EPZ galvanized plenum	EPI isolated plenum	EPZ galvanized plenum	EPI isolated plenum
L1xH1	euro	euro	euro	euro	L1xH1	euro	euro	euro	euro
200x100	a.r. v	a.r. v	a.r. v	a.r. v	400x200	a.r. v	a.r. v	a.r. v	a.r. v
300x100	a.r. v	a.r. v	a.r. v	a.r. v	500x200	a.r. v	a.r. v	a.r. v	a.r. v
400x100	a.r. v	a.r. v	a.r. v	a.r. v	600x200	a.r. v	a.r. v	a.r. v	a.r. v
500x100	a.r. v	a.r. v	a.r. v	a.r. v	800x200	a.r. v	a.r. v	a.r. v	a.r. v
600x100	a.r. v	a.r. v	a.r. v	a.r. v	1000x200	a.r. v	a.r. v	a.r. v	a.r. v
800x100	a.r. v	a.r. v	a.r. v	a.r. v	300x300	a.r. v	a.r. v	a.r. v	a.r. v
1000x100	a.r. v	a.r. v	a.r. v	a.r. v	400x300	a.r. v	a.r. v	a.r. v	a.r. v
200x150	a.r. v	a.r. v	a.r. v	a.r. v	500x300	a.r. v	a.r. v	a.r. v	a.r. v
300x150	a.r. v	a.r. v	a.r. v	a.r. v	600x300	a.r. v	a.r. v	a.r. v	a.r. v
400x150	a.r. v	a.r. v	a.r. v	a.r. v	800x300	a.r. v	a.r. v	a.r. v	a.r. v
500x150	a.r. v	a.r. v	a.r. v	a.r. v	1000x300	a.r. v	a.r. v	a.r. v	a.r. v
600x150	a.r. v	a.r. v	a.r. v	a.r. v	400x400	a.r. v	a.r. v	a.r. v	a.r. v
800x150	a.r. v	a.r. v	a.r. v	a.r. v	500x400	a.r. v	a.r. v	a.r. v	a.r. v
1000x150	a.r. v	a.r. v	a.r. v	a.r. v	600x400	a.r. v	a.r. v	a.r. v	a.r. v
200x200	a.r. v	a.r. v	a.r. v	a.r. v	800x400	a.r. v	a.r. v	a.r. v	a.r. v
300x200	a.r. v	a.r. v	a.r. v	a.r. v	1000x400	a.r. v	a.r. v	a.r. v	a.r. v