

# EGQ1-4 Egg crate grilles with filter



## Description

Aluminium exhaust grilles with 13x13 mm pitch, with the insertion of a special profile or counter-frame that allows for a flat filter for coarse or fine dust to be housed.

## Characteristics

Material: aluminium.  
Finish: natural anodised.  
Filter: COARSE class (G2) thickness 12 mm.

## Installation

Installation is carried out by opening the special brackets in the counter-frame or, alternatively, by securing the latter to the wall or duct using screws.

EGQ1 - EGQ2: for wall installation only, ceiling installation is not recommended, closing with magnet.

EGQ3 - EGQ4: Closing with screw.

## Use

For air exhaust.  
Its nice design and large effective cross-section make it ideal for civil installations.  
Initial pressure drop lower than 40Pa with 1.5 m/s speed on the filter.

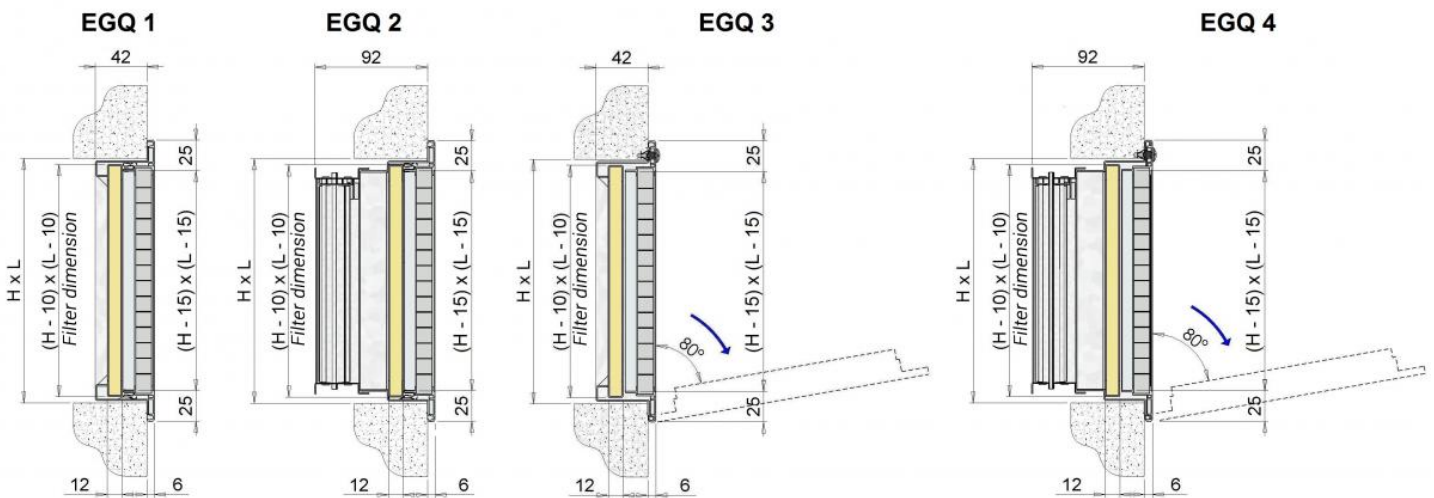
## Models

EGQ1: grille with filter;  
EGQ2: grille with filter and damper;  
EGQ3: grille with special counter-frame secured with a hinge to the frame to allow for 80° opening for easy filter maintenance;  
EGQ4: grille with damper and special counter-frame secured with a hinge to the frame to allow for 80° opening for easy filter maintenance.

## On request

-Fastening with magnet or knobs (EGQ3 - EGQ4).

-Egg crate grille version 13x13 mm with an inclination of 45°.



## Effective cross-section

H	L						
	200	300	400	500	600	800	1000
	effective cross-section of the grille m <sup>2</sup>						
200	0,030	0,046	0,058	0,076	0,092	0,130	0,170
300	0,046	0,070	0,092	0,126	0,156	0,206	0,258
400	0,058	0,092	0,130	0,170	0,210	0,288	0,356
500	0,076	0,130	0,170	0,205	0,258	0,364	0,450
600	0,092	0,170	0,210	0,258	0,328	0,440	0,550
800	0,130	0,210	0,288	0,364	0,440	0,580	0,720
1000	0,170	0,288	0,356	0,450	0,550	0,720	0,890

## Operating data

m<sup>3</sup>/h: flow rate  
Pa: pressure drops in Pascal  
dB(A): noise level

L: width  
H: height  
All dimensions are expressed in mm.

An air velocity on the filter of 1.5 m/s is recommended to contain pressure drops and maintain filtration efficiency; the flow rate data in the table refers to the grille with the filter.

H	V m/s	L						
		200	300	400	500	600	800	1000
	Face velocity on the filter	flow rate m <sup>3</sup> /h						
200	1,5	145	235	325	415	500	680	855
	2	195	315	430	550	670	905	1140
300	1,5	235	380	520	665	805	1090	1380
	2	315	505	695	885	1075	1455	1840
400	1,5	325	520	715	915	1110	1505	1895
	2	430	695	955	1220	1480	2005	2530
500	1,5	415	665	915	1165	1420	1920	2420
	2	550	885	1220	1550	1890	2555	3225
600	1,5	500	805	1110	1420	1720	2330	2940
	2	670	1075	1480	1890	2290	3105	3920
800	1,5	680	1090	1505	1920	2330	3155	3980
	2	905	1455	2010	2555	3105	4205	5305
1000	1,5	855	1375	1900	2420	2940	3980	5020
	2	1140	1835	2530	3225	3920	5305	6695

### Noise level dB(A)

V m/s	dB(A)
1,5	>20
2	20/25

### Pressure drop (Pa)

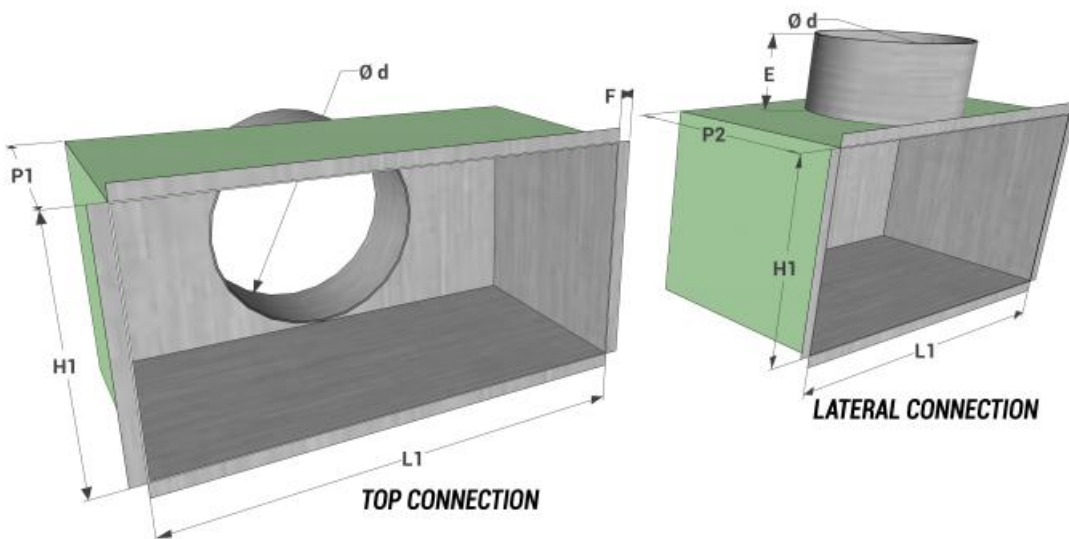
V m/s	P <sub>a</sub> *
1,5	25/30
2	45/50

### SC regulation damper

Galvanised steel regulation damper with blades with opposing movement.  
Maximum dimensions L x H for construction in one piece 1000 mm x 600 mm.



### Plenum



All measurements are expressed in mm.

model L1 x H1	top connection			lateral connection			E	F	model L1 x H1	top connection			lateral connection			E	F
	P1	no. connections	Ø d	P2	no. connections	Ø d				P1	no. connections	Ø d	P2	no. connections	Ø d		
200x200	200	1	198	300	1	198	80	12	500x300	200	1	248	350	1	248	80	12
300x200	200	1	198	300	1	198	80	12	600x300	200	2	198	350	2	248	80	12
400x200	200	1	198	300	1	198	80	12	800x300	200	2	248	350	2	248	80	12
500x200	200	1	198	300	1	198	80	12	1000x300	200	2	248	350	2	248	80	12
600x200	200	2	198	300	2	198	80	12	400x400	200	1	298	350	1	298	80	12
800x200	200	2	198	300	2	198	80	12	500x400	200	1	298	350	1	298	80	12
1000x200	200	2	198	300	2	198	80	12	600x400	200	2	198	350	2	248	80	12
300x300	200	1	248	350	1	248	80	12	800x400	200	2	298	350	2	298	80	12
400x300	200	1	248	350	1	248	80	12	1000x400	200	2	298	400	2	298	80	12

### EGQ1 price list

Note: painted white RAL 9016 + 20%

o.r.: price on request

H	L						
	200	300	400	500	600	800	1000
	euro	euro	euro	euro	euro	euro	euro
200	52,67	60,27	72,12	88,46	101,37	116,28	144,50
300	60,62	72,12	88,46	101,37	116,28	147,09	182,81
400	72,55	84,47	100,78	126,22	146,10	182,86	227,23
500	87,94	98,82	124,23	148,09	177,91	206,50	258,12
600	100,78	115,60	146,10	175,91	197,58	243,52	302,62
800	116,28	152,17	187,71	215,67	244,03	293,17	364,32
1000	144,50	190,19	234,66	268,00	305,06	364,32	455,41

### EGQ3 price list

H	L						
	200	300	400	500	600	800	1000
	euro	euro	euro	euro	euro	euro	euro
200	92,74	100,98	112,71	136,28	144,31	159,75	198,50
300	100,98	113,38	137,08	143,47	159,75	192,62	240,77
400	113,38	132,96	143,47	171,11	192,72	231,58	289,49
500	137,08	142,20	161,43	195,83	226,74	258,22	322,79
600	144,31	159,75	191,71	237,70	248,99	298,90	371,43
800	159,75	201,00	239,10	267,96	300,95	352,47	438,02
1000	198,50	249,78	297,15	332,99	374,00	438,02	547,53

### EGQ2 and EGQ4 price list on request

### Plenum

dimensions	top connection		lateral connection	
	EPZ galvanized plenum	EPI isolated plenum	EPZ galvanized plenum	EPI isolated plenum
L1xH1	euro	euro	euro	euro
200x200	a.r.	a.r.	a.r.	a.r.
300x200	a.r.	a.r.	a.r.	a.r.
400x200	a.r.	a.r.	a.r.	a.r.
500x200	a.r.	a.r.	a.r.	a.r.
600x200	a.r.	a.r.	a.r.	a.r.
800x200	a.r.	a.r.	a.r.	a.r.
1000x200	a.r.	a.r.	a.r.	a.r.
300x300	a.r.	a.r.	a.r.	a.r.
400x300	a.r.	a.r.	a.r.	a.r.
500x300	a.r.	a.r.	a.r.	a.r.
600x300	a.r.	a.r.	a.r.	a.r.
800x300	a.r.	a.r.	a.r.	a.r.
1000x300	a.r.	a.r.	a.r.	a.r.
400x400	a.r.	a.r.	a.r.	a.r.
500x400	a.r.	a.r.	a.r.	a.r.
600x400	a.r.	a.r.	a.r.	a.r.
800x400	a.r.	a.r.	a.r.	a.r.
1000x400	a.r.	a.r.	a.r.	a.r.