

EGFR Perforated grilles with 15 mm frame

Description

Air supply and exhaust grilles with perforated panel, with 15 mm frame.

Characteristics

Aluminium perimeter frame.
Galvanised steel panel.
Finish: painted white RAL 9016.
Installation: magnet fastening.

The perforated mesh is made according to the following specifications:
-60° alternating round holes;
-empty/full ratio 46%;
-diameter of holes 5mm;
-distance between centres 7mm.

Use

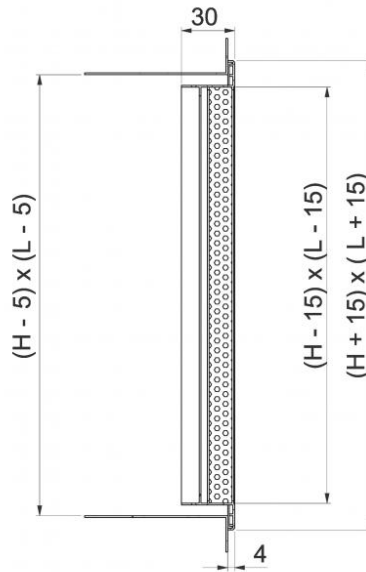
For air exhaust in rooms.

Accessories

- EPZR galvanised plenum;
- EPIR insulated plenum;
- SC galvanised steel regulation damper with blades with opposing movement.

On request

Painting in different RAL colours.



Effective cross-section

H	L			
	300	400	500	600
	Effective cross-section m ²			
300	0,037	0,050	0,064	0,077
400	0,050	0,068	0,086	0,104
500	0,064	0,086	0,108	0,131
600	0,077	0,104	0,131	0,157

Operating data

Vk: effective speed (m/s)
m³/h: flow rate
Pa: pressure drops in Pascal
dB(A): noise level
L: width
H: height
All measurements are expressed in mm.

H	Vk m/s	L			
		300	400	500	600
		flow rate m ³ /h			
300	2	269	363	458	552
	3	404	545	687	828
	4	538	727	916	1104
400	2	363	491	618	746
	3	545	736	928	1119
	4	727	982	1237	1492
500	2	458	618	779	940
	3	687	928	1169	1410
	4	916	1237	1558	1879
600	2	552	746	940	1133
	3	828	1119	1410	1700
	4	1104	1492	1879	2267

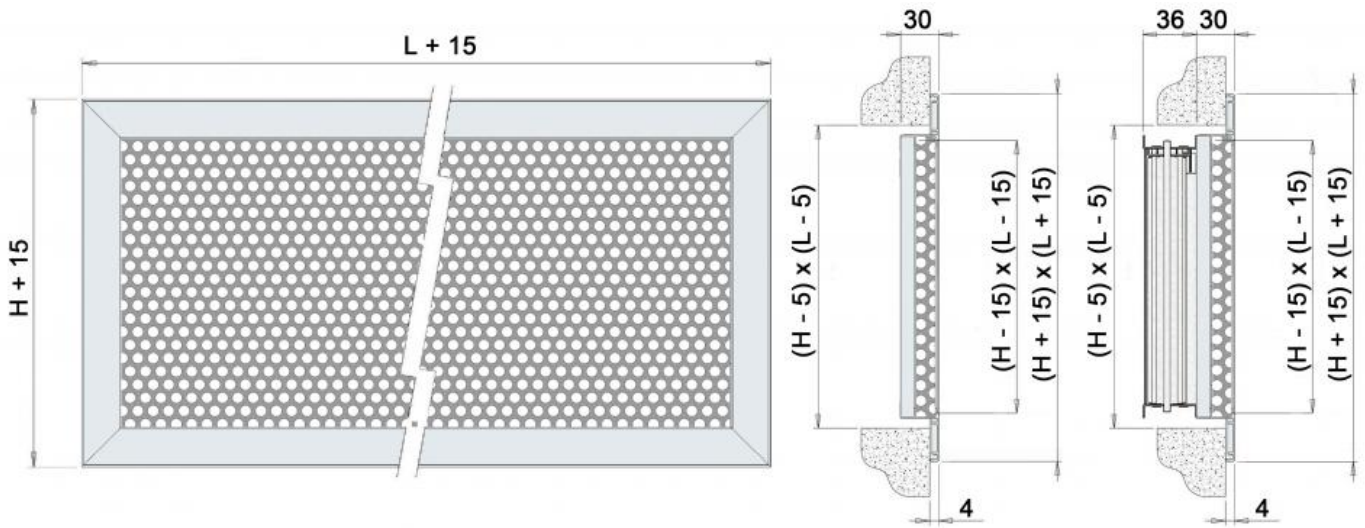
Noise level dB(A)

sound power level	V m/s	dB(A)
	2	20/25
	3	25/30
	4	35/40

Pressure drop (Pa)

pressure drop	V m/s	Pa
	2	15
	3	40
	4	70

Configuration

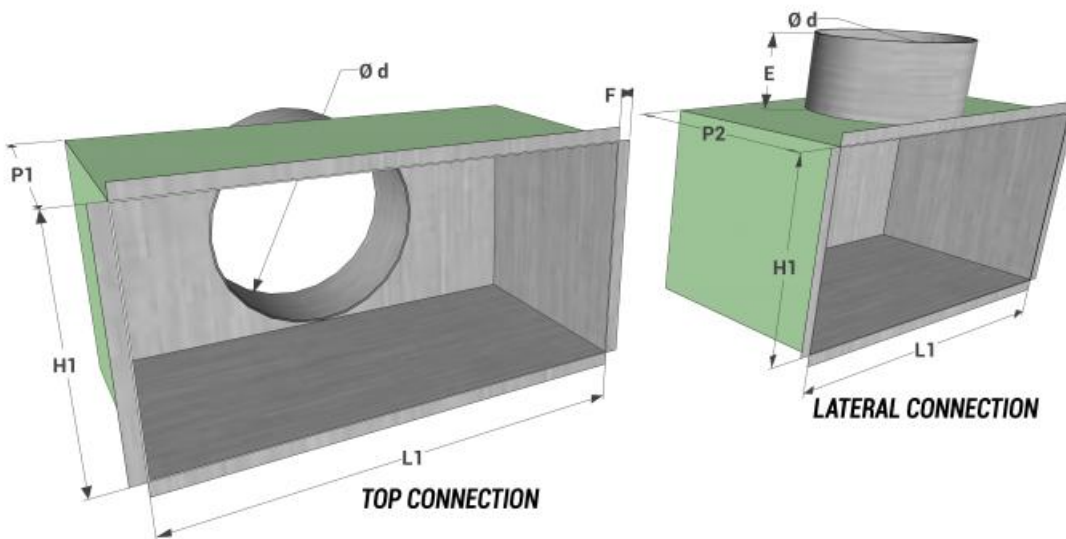


SC regulation damper

Galvanised steel regulation damper with blades with opposing movement.



Plenum



model EGFR	dimensions	top connection			lateral connection			E	F
		P1	no. connections	Ø d	P2	no. connections	Ø d		
L x H	L1 x H1								
300x300	295x295	200	1	195	300	1	195	80	8
400x300	395x195	200	1	245	300	1	195	80	8
500x300	495x295	200	1	245	350	1	245	80	8
600x300	595x295	200	2	195	300	2	195	80	8
400x400	395x395	200	1	295	400	1	295	80	8
500x400	495x395	200	1	295	400	1	295	80	8
600x400	595x395	200	2	245	350	2	245	80	8
500x500	495x495	200	1	345	450	1	345	80	8
580x580	575x575	200	2	245	350	2	245	80	8
600x500	595x495	200	2	245	350	2	245	80	8
600x600	595x595	200	1	245	450	1	345	80	8

Price list

H	L			
	300	400	500	600
	euro	euro	euro	euro
300	62,36 v	72,09 v	80,98 v	89,68 v
400	72,09 v	82,88 v	94,09 v	104,65 v
500	80,98 v	94,09 v	105,72 v	117,76 v
600	89,68 v	104,65 v	117,76 v	130,61 v

H	SC damper			
	300	400	500	600
	euro	euro	euro	euro
300	27,79 v	34,39 v	37,86 v	41,39 v
400	34,39 v	39,39 v	47,57 v	51,14 v
500	37,86 v	47,57 v	61,21 v	63,82 v
600	41,39 v	51,14 v	63,82 v	76,00 v

EGFR model	dimensions	top connection		lateral connection	
		EPZR galvanised plenum	EPIR insulated plenum	EPZR galvanised plenum	EPIR insulated plenum
L x H	L1 x H1	euro	euro	euro	euro
300x300	295x295	a.r. v	a.r. v	a.r. v	a.r. v
400x300	395x295	a.r. v	a.r. v	a.r. v	a.r. v
500x300	495x295	a.r. v	a.r. v	a.r. v	a.r. v
600x300	595x295	a.r. v	a.r. v	a.r. v	a.r. v
400x400	395x395	a.r. v	a.r. v	a.r. v	a.r. v
500x400	495x395	a.r. v	a.r. v	a.r. v	a.r. v
600x400	595x395	a.r. v	a.r. v	a.r. v	a.r. v
500x500	495x495	a.r. v	a.r. v	a.r. v	a.r. v
580x580	575x575	a.r. v	a.r. v	a.r. v	a.r. v
600x500	595x495	a.r. v	a.r. v	a.r. v	a.r. v
600x600	595x595	a.r. v	a.r. v	a.r. v	a.r. v