

# EBLF Linear grilles with horizontal fixed bars without frame



## Description

Linear grilles with horizontal aluminium fixed bars with 0° or 15° deflection.

## Characteristics

Material: aluminium.  
Finish: anodized.  
Installation: fastening with brackets;

## Use

Grilles used in air conditioning and ventilation systems for both supply and return.

## Installation

For flush installation for 12.5 mm thick plasterboard walls.  
For flush installation for masonry walls.

## Models

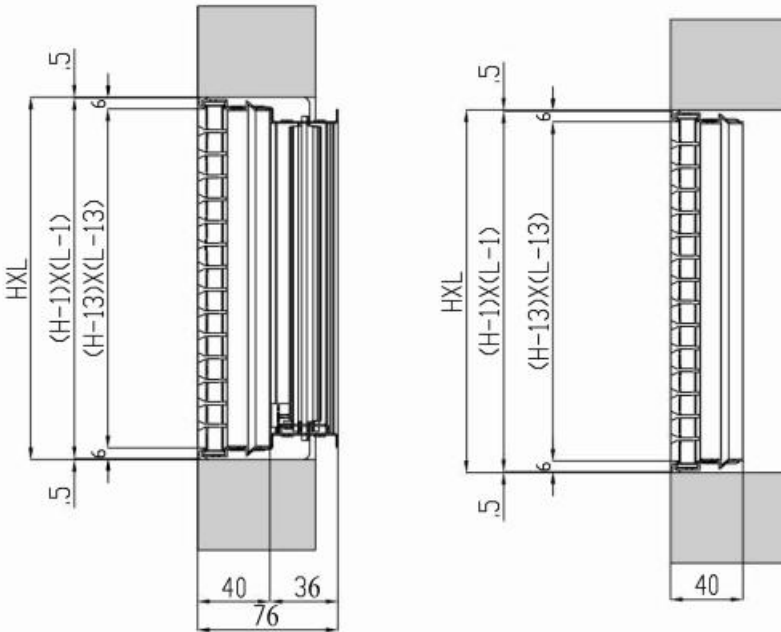
EBLF20/0: with frame and front fixed bars with 0° deflection;  
EBLF20/15: with frame and front fixed bars with 15° deflection;

## Accessories

- SC galvanised steel regulation damper with blades with opposing movement;

## On request

Painting in different RAL colours.



## Operating data

Vk: effective speed (m/s)

m<sup>3</sup>/h: flow rate

Pa: pressure drops in Pascal

L1 (m): air throw referring to a terminal velocity Vt= 0.25 m/s, installed near the ceiling (not beyond 3 m); for greater distances, correct the air throw by multiplying it by 0.7

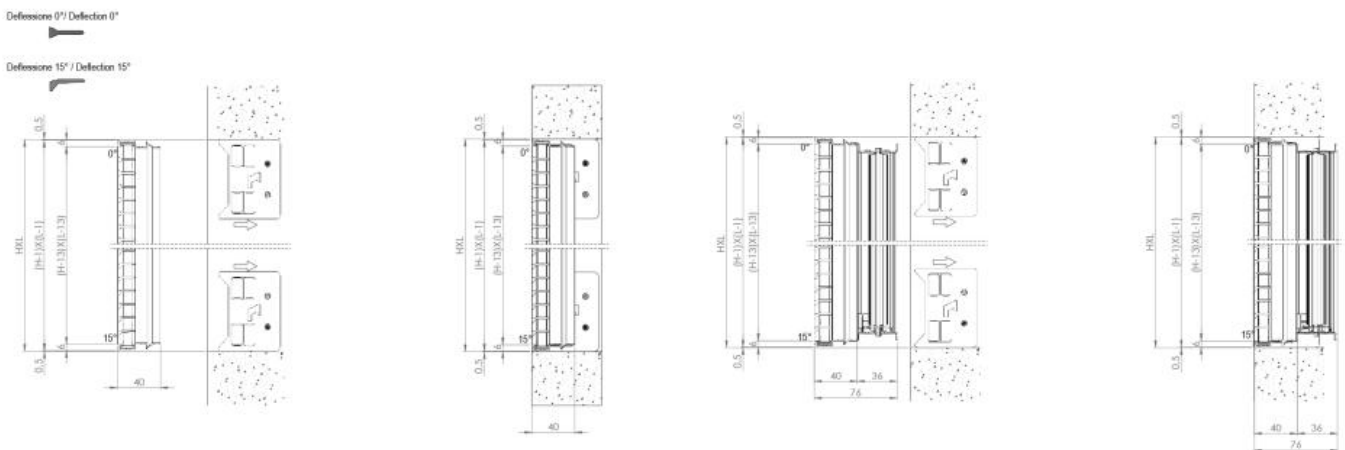
dB(A): noise level

All dimensions are expressed in mm.

dimension LxH	effective cross-section m <sup>2</sup>	Vk 2 m/s		Vk 3 m/s		Vk 4 m/s	
		m <sup>3</sup> /h	L1	m <sup>3</sup> /h	L1	m <sup>3</sup> /h	L1
400x75	0,015	108	2,4	160	3,6	213	4,8
500x75	0,019	197	2,5	201	3,8	268	5,1
600x75	0,022	158	2,6	243	3,9	323	5,2
800x75	0,030	216	2,8	326	4,2	434	5,6
1000x75	0,038	274	2,9	408	4,4	545	5,8
1200x75	0,046	331	3	497	4,5	662	6
400x100	0,020	144	2,6	216	3,8	292	5,1
500x100	0,026	230	3,3	276	4,1	367	5,4
600x100	0,031	281	3,5	332	4,2	443	5,6
800x100	0,041	374	3,8	446	4,4	595	5,9
1000x100	0,052	475	3,9	560	4,7	746	6,2
1200x100	0,062	590	2,6	670	4,8	893	6,4
400x125	0,026	187	2,7	278	4,1	370	5,4
500x125	0,032	230	2,8	350	4,2	467	5,6
600x125	0,039	281	2,9	422	4,4	563	5,9
800x125	0,052	374	3,1	566	4,7	755	6,2
1000x125	0,066	475	3,3	711	4,9	947	6,5
1200x125	0,082	590	3,4	886	5,1	1149	6,9
400x150	0,031	223	2,8	337	4,2	449	5,6
500x150	0,039	281	2,9	424	4,4	566	5,9
600x150	0,047	338	3	512	4,6	682	6,1
800x150	0,064	461	3,2	687	4,9	916	6,5
1000x150	0,080	576	3,4	862	5,1	1149	6,8
1200x150	0,096	691	3,5	1037	5,2	1382	7
400x200	0,042	302	3	455	4,5	607	6
500x200	0,053	380	3,1	573	4,7	764	6,2
600x200	0,064	461	3,2	691	4,9	922	6,5
800x200	0,086	619	3,4	927	5,2	1237	6,9
1000x200	0,108	778	3,6	1164	5,4	1552	7,2
1200x200	0,130	936	3,7	1404	5,6	1872	7,4
400x300	0,064	461	3,2	691	4,9	922	6,3
500x300	0,081	583	3,3	875	5,1	1166	6,6
600x300	0,097	698	3,5	1050	5,3	1400	7
800x300	0,130	936	3,7	1409	5,6	1879	7,5
1000x300	0,164	1181	3,9	1768	5,9	2357	7,8
1200x300	0,198	1426	4,1	2138	6,2	2851	8,3
400x400	0,084	603	3,4	904	5,1	1205	6,9
500x400	0,105	753	3,6	1130	5,4	1507	7,2
600x400	0,126	904	3,7	1356	5,6	1808	7,4
800x400	0,167	1205	3,9	1808	5,9	2411	7,9
1000x400	0,209	1507	4,1	2260	6,2	3013	8,2
1200x400	0,251	1808	7,1	2712	6,4	3616	8,5
Pa		3		7		12	
dB(A)		15/20		28/32		38 / 42	

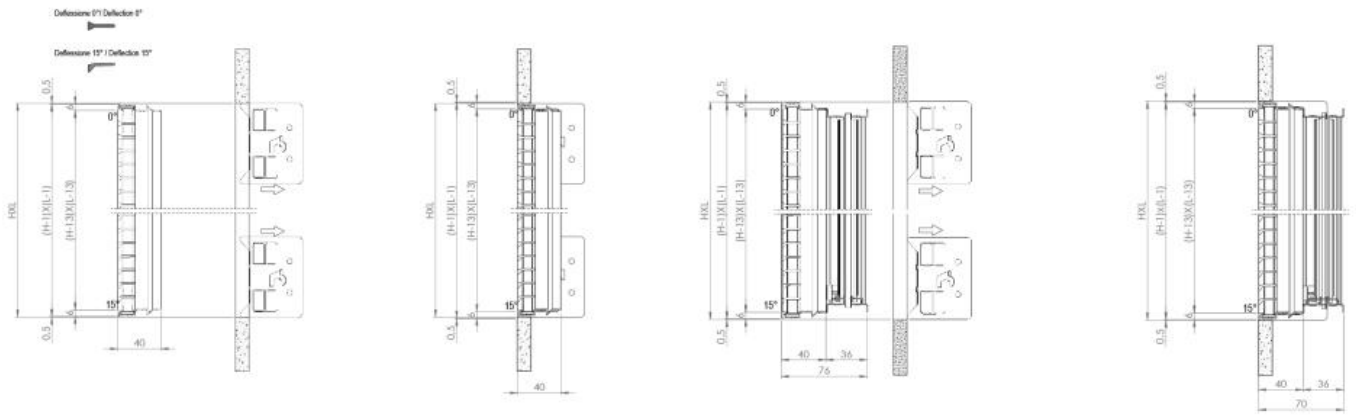
### EBLF 20/0° EBLF 20/15° dimensions with and without damper on masonry wall

For installation you need the fixing kit consisting of 4 brackets, supplied with the article.  
 N.B. for installation on a masonry wall, the heights 75 mm, 100 mm are not available.



### EBLF 20/0° EBLF 20/15° dimensions with and without damper on plasterboard wall

For installation you need the fixing kit consisting of 4 brackets, not supplied with the article.



## SC regulation damper

Galvanised steel regulation damper with blades with opposing movement.

Maximum dimensions L x H for construction in one piece 1000 mm x 600 mm.



## EBLF price list

dimension LxH	EBLF 20/0°	EBLF 20/15°	SC regulation damper
	euro	euro	euro
400x75	32,36 v	32,36 v	17,73 v
500x75	39,98 v	39,98 v	21,16 v
600x75	43,21 v	43,21 v	24,21 v
800x75	50,76 v	50,76 v	30,43 v
1000x75	59,41 v	59,41 v	37,34 v
1200x75	71,31 v	71,31 v	48,41 v
400x100	39,98 v	39,98 v	17,73 v
500x100	46,47 v	46,47 v	21,16 v
600x100	49,71 v	49,71 v	24,21 v
800x100	57,27 v	57,27 v	30,43 v
1000x100	68,10 v	68,10 v	37,34 v
1200x100	81,72 v	81,72 v	48,41 v
400x125	44,30 v	44,30 v	20,46 v
500x125	49,71 v	49,71 v	23,69 v
600x125	57,27 v	57,27 v	27,00 v
800x125	62,66 v	62,66 v	34,58 v
1000x125	79,97 v	79,97 v	41,67 v
1200x125	95,95 v	95,95 v	53,99 v
400x150	49,71 v	49,71 v	20,46 v
500x150	51,86 v	51,86 v	23,69 v
600x150	62,66 v	62,66 v	27,00 v
800x150	82,12 v	82,12 v	34,58 v
1000x150	94,02 v	94,02 v	41,67 v
1200x150	112,83 v	112,83 v	53,99 v
400x200	68,10 v	68,10 v	25,31 v
500x200	79,97 v	79,97 v	29,73 v
600x200	85,36 v	85,36 v	34,25 v
800x200	102,65 v	102,65 v	41,97 v
1000x200	125,34 v	125,34 v	46,84 v
1200x200	150,41 v	150,41 v	68,50 v
400x300	85,92 v	85,92 v	35,42 v
500x300	97,22 v	97,20 v	39,00 v
600x300	116,71 v	116,71 v	42,63 v
800x300	150,19 v	150,19 v	51,72 v
1000x300	179,24 v	179,24 v	62,36 v
1200x300	215,09 v	215,09 v	85,26 v
400x400	103,74 v	103,74 v	40,57 v
500x400	129,63 v	129,63 v	49,00 v
600x400	155,61 v	155,61 v	52,67 v
800x400	200,27 v	200,27 v	64,45 v
1000x400	239,00 v	239,00 v	76,48 v
1200x400	286,79 v	286,79 v	105,35 v

#### EBLF price list painted white RAL 9016

dimension LxH	EBLFB 20/0°	EBLFB 20/15°	SC serranda di taratura
	euro	euro	euro
400x75	38,83 v	38,83 v	17,73 v
500x75	47,98 v	124,48 v	21,16 v
600x75	51,85 v	51,85 v	24,21 v
800x75	60,91 v	60,91 v	30,43 v
1000x75	71,30 v	71,30 v	37,34 v
1200x75	85,55 v	85,55 v	48,41 v
400x100	47,98 v	47,98 v	17,73 v
500x100	55,76 v	55,76 v	21,16 v
600x100	59,65 v	59,65 v	24,21 v
800x100	68,72 v	68,72 v	30,43 v
1000x100	81,71 v	81,71 v	37,34 v
1200x100	98,06 v	98,06 v	48,41 v
400x125	53,16 v	53,16 v	20,46 v
500x125	59,65 v	59,65 v	23,69 v
600x125	68,72 v	68,72 v	27,00 v
800x125	75,19 v	75,19 v	34,58 v
1000x125	95,95 v	95,95 v	41,67 v
1200x125	115,13 v	115,13 v	53,99 v
400x150	59,65 v	59,65 v	20,46 v
500x150	62,23 v	62,23 v	23,69 v
600x150	75,19 v	75,19 v	27,00 v
800x150	98,53 v	98,53 v	34,58 v
1000x150	112,81 v	112,81 v	41,67 v
1200x150	135,38 v	135,38 v	53,99 v
400x200	81,71 v	81,71 v	25,31 v
500x200	95,95 v	95,95 v	29,73 v
600x200	102,41 v	102,41 v	34,25 v
800x200	123,17 v	123,17 v	41,97 v
1000x200	150,40 v	150,40 v	46,84 v
1200x200	180,47 v	180,47 v	68,50 v
400x300	103,09 v	103,09 v	35,42 v
500x300	116,66 v	116,63 v	39,00 v
600x300	140,04 v	140,04 v	42,63 v
800x300	180,21 v	180,21 v	51,72 v
1000x300	215,06 v	150,40 v	62,36 v
1200x300	258,08 v	258,08 v	85,26 v
400x400	124,48 v	124,48 v	40,57 v
500x400	155,53 v	155,53 v	49,00 v
600x400	186,71 v	186,71 v	52,67 v
800x400	240,29 v	240,29 v	64,45 v
1000x400	286,76 v	286,76 v	76,48 v
1200x400	344,11 v	344,11 v	105,35 v

## Replacement fixing kit

For installation you need the fixing kit consisting of 4 brackets.

Description	Euro
Fixing kit	29,71 ▾