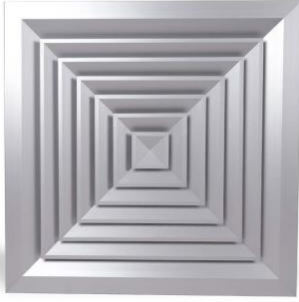


EDQ 10-14 Multidirectional square diffusers - models from 10 to 14



Description

Multidirectional square diffusers with removable cones.

Characteristics

Material: aluminium.
Finish: natural anodised.
Installation: fastening by means of non-visible screws.

Use

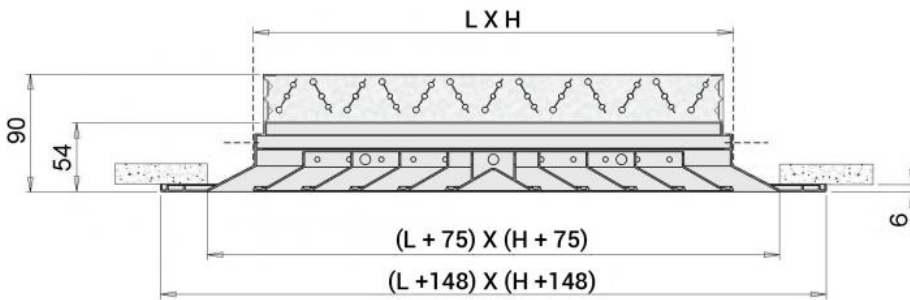
Very versatile diffuser, especially suitable in systems where it is necessary to control the air throw in specific directions.

On request

White RAL 9016 painting or other RAL colours (prices on request).

Accessories

- SC galvanised steel regulation damper with blades with opposing movement.
- EPZ-EDQ galvanised steel plenum.
- EPI-EDQ galvanised steel insulated plenum.



Operating data EDQ10

Vk: effective speed (m/s)

m³/h: flow rate

Pa: pressure drops in Pascal

L(m): air throw in metres calculated on ceiling installation, terminal velocity 0.25 m/s

dB(A): noise level

all dimensions are expressed in mm.

dimensions HxL	Vk (m/s) effective cross-section m ²	3		4		5		6	
		m ³ /h	L(m)	m ³ /h	L(m)	m ³ /h	L(m)	m ³ /h	L(m)
150x150	0,010	108	1,2	144	1,6	180	2	216	2,6
225x225	0,022	238	1,8	317	2,5	396	3,2	475	3,8
300x300	0,038	410	2,4	547	3,2	686	4	820	4,8
375x375	0,058	626	2,9	835	3,9	1044	4,8	1253	5,8
450x450	0,085	918	3,6	1224	4,8	1530	6	1836	7,2
525x525	0,116	1253	4,2	1670	5,4	2088	7	2505	8,4
600x600	0,150	1620	4,6	2160	6,4	2700	7,8	3240	9,5
pressure drop	Pa	5		10		15		20	
noise level	dB(A)	20/25		30/35		35/40		40/45	

Operating data EDQ11

LA: air throw on side A (m)

LB: air throw on side B (m)

Pa: pressure drops in Pascal

dB(A): noise level

all dimensions are expressed in mm

dimensions HxL	Vk (m/s) effective cross-section m ²	3			4			5			6		
		m ³ /h	LA(m)	LB(m)	m ³ /h	LA(m)	LB(m)	m ³ /h	LA(m)	LB(m)	m ³ /h	LA(m)	LB(m)
150x150	0,010	108	1,5	1,7	144	2,1	2,5	180	2,6	3	216	3	3,4
225x225	0,022	238	2,3	2,9	317	2,7	3,5	396	3,8	4,7	475	4,6	5,6
300x300	0,038	410	3	3,4	547	3,8	4,8	686	5	6,2	820	5,9	7,2
375x375	0,058	626	3,6	4,2	835	4,7	5,7	1044	5,8	7	1253	6,9	8,3
450x450	0,085	918	4,1	5,1	1224	5,6	7	1530	6,8	8,4	1836	8,2	10,2
525x525	0,116	1253	4,8	6,2	1670	6,5	7,9	2088	8,2	10	2505	9,8	12,6
600x600	0,150	1620	5,4	6,6	2160	7	8,5	2700	8,8	10,9	3240	10,3	12,8
pressure drop	Pa	5			10			15			20		
noise level	dB(A)	20/25			30/35			35/40			40/45		

Operating data EDQ12

Vk: effective speed (m/s)

m³/h: flow rate

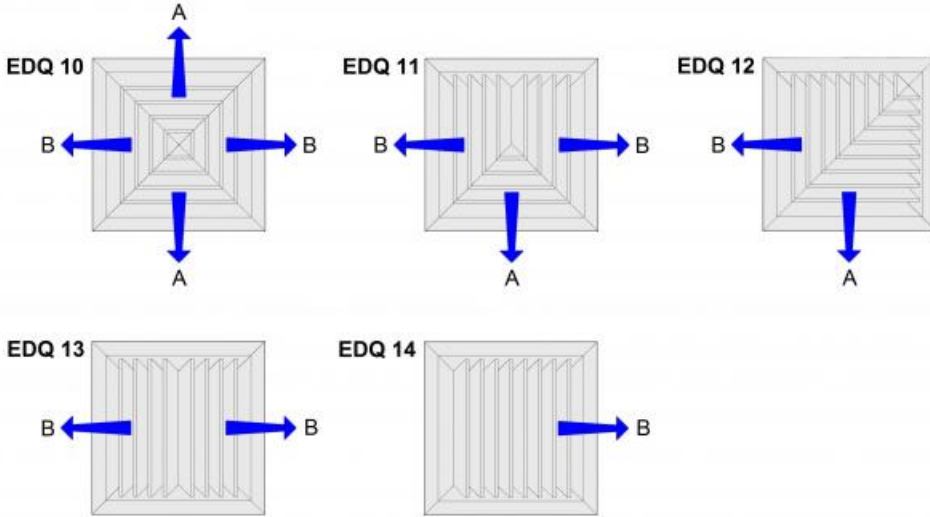
Pa: pressure drops in Pascal

L(m): air throw in metres calculated on ceiling installation, terminal velocity 0.25 m/s

dB(A): noise level

all dimensions are expressed in mm.

dimensions HxL	Vk (m/s)	3		4		5		6	
	effective cross-section m ²	m ³ /h	L(m)	m ³ /h	L(m)	m ³ /h	L(m)	m ³ /h	L(m)
150x150	0,009	98	2,3	130	2,9	162	3,6	195	4,7
225x225	0,020	216	3,6	288	5	360	3,4	432	7,6
300x300	0,034	368	4,6	490	6,1	612	7,8	735	9,4
375x375	0,051	550	5,7	735	7,7	918	9,4	1101	11,3
450x450	0,074	800	7	1066	9,4	1332	11,6	1598	13,5
525x525	0,100	1080	8	1440	10,4	1800	13,5	2160	16
600x600	0,126	1360	8,3	2160	6,4	2700	7,8	3240	9,5
pressure drop	Pa	5		10		15		20	
noise level	dB(A)	20/25		30/35		35/40		40/45	



Operating data EDQ13

Vk: effective speed (m/s)

m³/h: flow rate

Pa: pressure drops in Pascal

L(m): air throw in metres calculated on ceiling installation, terminal velocity 0.25 m/s

dB(A): noise level

all dimensions are expressed in mm.

dimensions HxL	Vk (m/s)	3		4		5		6	
	effective cross-section m ²	m ³ /h	L(m)	m ³ /h	L(m)	m ³ /h	L(m)	m ³ /h	L(m)
150x150	0,009	98	2,3	130	2,9	162	3,6	195	4,7
225x225	0,020	216	3,8	288	5,2	360	3,6	432	7,8
300x300	0,034	368	4,6	490	6,3	612	8,2	735	9,8
375x375	0,051	550	6	735	8	918	9,8	1101	11,8
450x450	0,074	800	7,1	1066	9,8	1332	12	1598	14
525x525	0,100	1080	8,4	1440	10,8	1800	14	2160	16,8
600x600	0,126	1360	8,6	1815	12	2268	13,8	2722	18
pressure drop	Pa	5		10		15		20	
noise level	dB(A)	20/25		30/35		35/40		40/45	

Operating data EDQ14

Vk: effective speed (m/s)

m³/h: air flow

Pa: pressure drop in Pascal

L(m): air throw in meters calculated on ceiling installation, terminal velocity 0.25 m/s

dB(A): noise level

Dimensions are expressed in mm

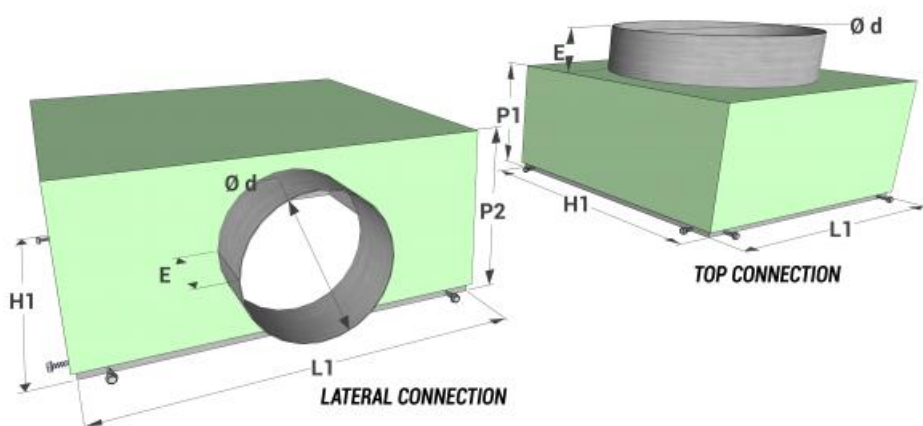
dimensions HxL	Vk (m/s)	3		4		5		6	
	effective cross-section m ²	m ³ /h	L(m)	m ³ /h	L(m)	m ³ /h	L(m)	m ³ /h	L(m)
150x150	0,009	98	3,1	130	3,9	162	4,8	195	6,3
225x225	0,020	216	5,2	288	7	360	4,9	432	10,5
300x300	0,034	368	6,5	490	8,1	612	11	735	13,2
375x375	0,051	550	8,1	735	10,8	918	13,2	1101	16
450x450	0,074	800	9,9	1066	13,2	1332	16,2	1598	18,9
525x525	0,100	1080	11,3	1440	14,6	1800	18,4	2160	22
600x600	0,126	1360	11,5	1815	16	2268	18	2722	24
pressure drop	Pa	5		10		15		20	
noise level	dB(A)	20/25		30/35		35/40		40/45	

SC regulation damper

Galvanised steel regulation damper with blades with opposing movement.



Plenum



EDQ	L1 x H1	Ø d	P1	P2	E
150x150	155x155	125	200	245	50
225x225	230x230	150	200	270	50
300x300	305x305	200	200	320	50
375x375	380x380	200	200	320	50
450x450	455x455	250	250	370	50
525x525	530x530	300	200	400	50
600x600	605x605	300	200	400	50

Price list

Note: painted white RAL 9016 + 20%.

dimensions LxH	EDQ10	EDQ11	EDQ12	EDQ13	EDQ14
	euro	euro	euro	euro	euro
150x150	71,78	80,86	80,86	65,35	65,35
225x225	76,33	88,13	88,13	72,73	72,73
300x300	92,71	105,38	105,38	78,15	78,15
375x375	114,85	131,71	131,71	92,51	92,51
450x450	140,27	152,62	152,62	114,44	114,44
525x525	169,88	186,23	186,23	138,05	138,05
600x600	197,23	214,46	214,46	181,69	181,69

Accessories

dimensions LxH	damper SC	lateral connection		top connection	
		galvanized plenum	isolated plenum	galvanized plenum	isolated plenum
		EPZ-EDQ	EPI-EDQ	EPZ-EDQ	EPI-EDQ
	euro	euro	euro	euro	euro
150x150	13,57	a.r.	a.r.	a.r.	a.r.
225x225	16,32	a.r.	a.r.	a.r.	a.r.
300x300	27,79	a.r.	a.r.	a.r.	a.r.
375x375	34,93	a.r.	a.r.	a.r.	a.r.
450x450	44,82	a.r.	a.r.	a.r.	a.r.
525x525	76,00	a.r.	a.r.	a.r.	a.r.
600x600	76,00	a.r.	a.r.	a.r.	a.r.