

EDFLB-FL Linear diffusers for air extraction with slot and filter

Description:

"Diffusers of EDFLB-FL serie can be exclusively used for air extraction in environments that also have very large surfaces, but with relatively limited heights. They have a filter inside and the fixing is by magnets and they are used to extract the air from offices, open spaces, banks, large halls of hotels, business centers, shops, courts, etc. They are built using extruded aluminium profiles to obtain an highly aerodynamic and aesthetically pleasing design, with standard lengths of 800-1000-1500- 2000 mm for a minimum of 3 and a maximum of 4 slots. The standard painting is RAL 9016 and, on request, they can be painted with other colours, with powders based on epoxy resins placed electrostatically and dried in the oven. This kind of painting is resistant to any impact and abrasion, and maintains its aesthetic characteristics over time. The fixing of the diffuser to the plenum is carried out using non-visible mounting bridges. The diffusers are provided with special tabs inside the fins pack that allow a "book opening" to replace the filter without dismantle the whole diffuser.



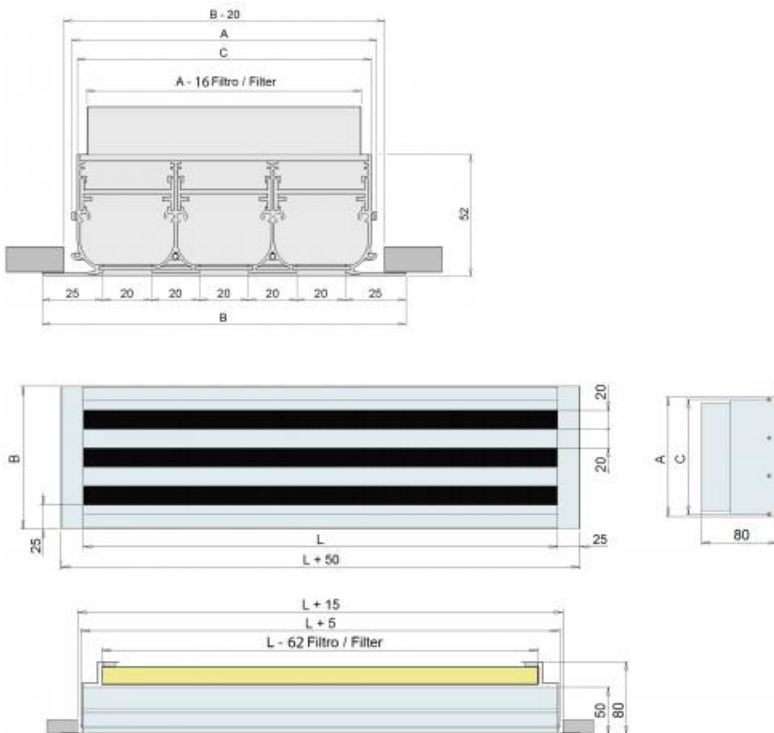
Characteristics:

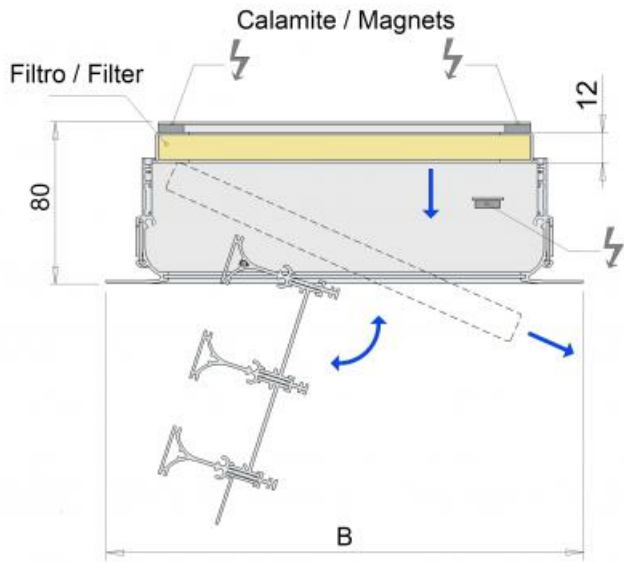
Material: aluminum

Standard surface finish: White RAL 9016 painting

Fixing: by mounting bridges.

Installation height: from 2,5 to 3,1 m





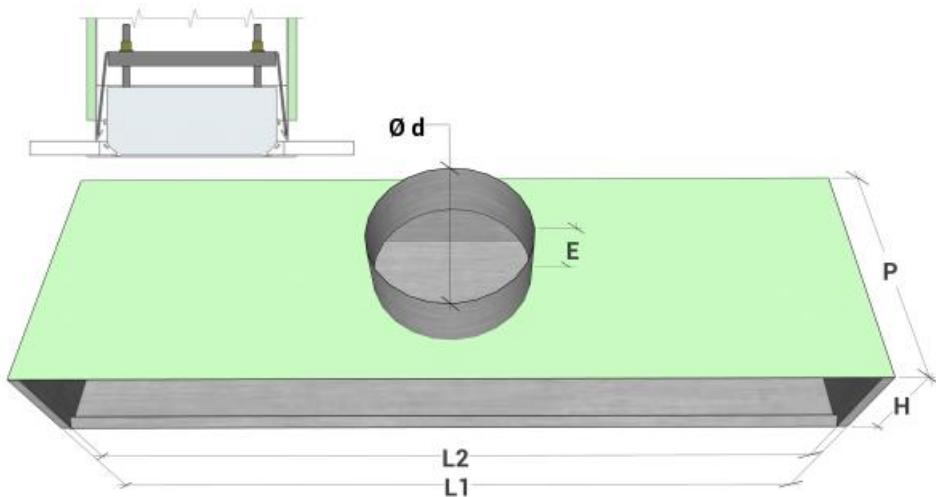
Standard Lengths:

L (mm)	No. of slots
800	3 + 4
1000	3 + 4
1500	3 + 4
2000	3 + 4

Diffuser dimensions:

No. of slots	A mm	B mm	C mm
3	126	150	121
4	166	190	161

Plenum dimensions and mounting system with fixing bridges



Slots number	L	Plenum dimensions						
		L1	L2	Number of air cuts	Ø d	P	H	E
3 slots	800	845	815	1	198	300	138	80
	1000	1045	1015	1				
	1500	1545	1515	2				
	2000	2045	2015	2				
4 slots	800	845	815	1	198	300	178	80
	1000	1045	1015	1				
	1500	1545	1515	2				
	2000	2045	2015	2				

Operating data:

No. of slots	Air speed m/s	800 mm			1000 mm			1500 mm			2000 mm		
		m ³ /h	Pa	dB(A)	m ³ /h	Pa	dB(A)	m ³ /h	Pa	dB(A)	m ³ /h	Pa	dB(A)
3	1,5	440	33	35	560	34	37	855	34	39	1150	35	40
	2	590	45	36	745	61	44	1140	62	47	1540	63	48
4	1,5	600	35	37	760	35	38	1165	36	41	1570	37	42
	2	800	63	45	1015	64	45	1555	65	48	2095	66	50

Price list

N. slots	Euro			
	800 mm	1000 mm	1500 mm	2000 mm
3	a.r.	a.r.	a.r.	a.r.
4	a.r.	a.r.	a.r.	a.r.