

# EDC 1-6 Multidirectional diffusers with curved blades

## Description

Aluminium diffusers with special, individually adjustable curved blades.  
1, 2, 3 and 4-way possible.



## Characteristics

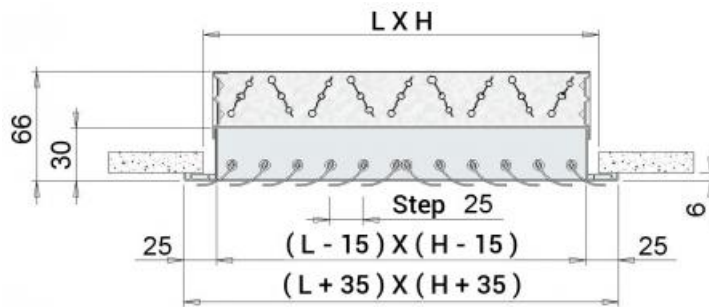
Material: aluminium.  
Finish: natural anodised.  
Standard fastening: with clips (installation of the counter-frame recommended).  
Fastening on request: with holes for screws on the diffuser frame.

## Use

Diffuser suitable for systems with low ceilings or where it is necessary to exploit the coanda effect (ceiling effect). It is also possible to adjust the air throw direction.

## Accessories

- EPZ galvanised plenum;
- EPI insulated plenum;
- SC steel regulation damper with blades with opposing movement;
- CT galvanised steel counter-frame to set into wall.



## Operating data

Vk: effective speed (m/s)

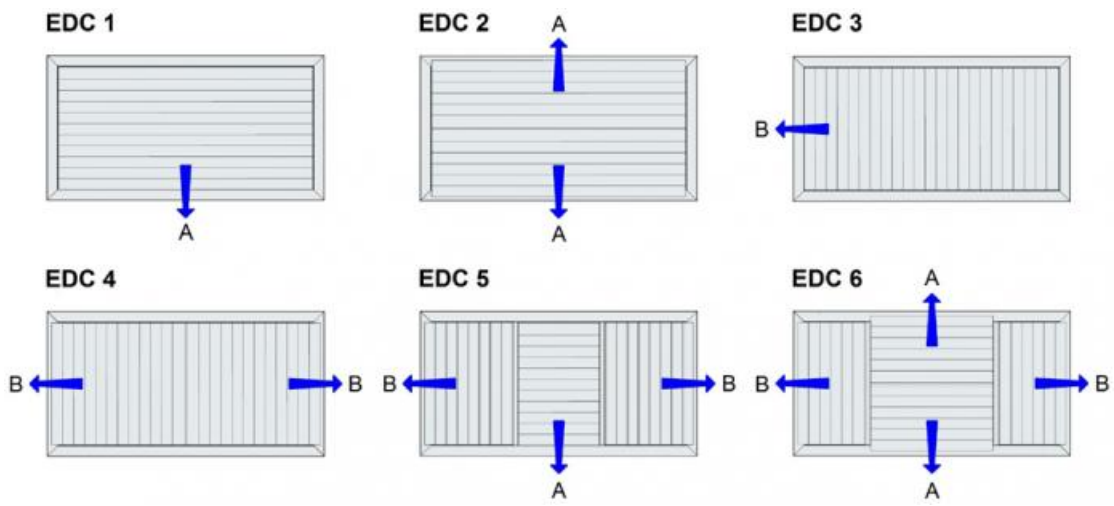
m<sup>3</sup>/h: flow rate

Pa: pressure drops in Pascal

L(m): horizontal air throw in metres calculated on ceiling installation, terminal velocity 0.25 m/s

dB(A): noise level

dimensions LxH	effective cross-section m <sup>2</sup>	Vk (m/s)	3	5	7	dimensions LxH	effective cross-section m <sup>2</sup>	Vk (m/s)	3	5	7
200x100	0,0074	m <sup>3</sup> /h	80	133	187	400x200	0,0269	m <sup>3</sup> /h	290	483	677
		L(m)	2	3,5	5,3			L(m)	2,4	3,5	6,5
		Pa	7	17	30			Pa	7	20	39
		dB(A)	<20	24	32			dB(A)	<20	33	40
300x100	0,0111	m <sup>3</sup> /h	120	200	280	500x200	0,0324	m <sup>3</sup> /h	350	583	817
		L(m)	1,8	3,7	5			L(m)	2,5	4,3	6,8
		Pa	6	17	30			Pa	7	27	33
		dB(A)	<20	27	34			dB(A)	<20	32	39
400x100	0,0148	m <sup>3</sup> /h	160	267	373	600x200	0,0417	m <sup>3</sup> /h	450	750	1050
		L(m)	2,5	4	6			L(m)	2,5	5	7
		Pa	6	20	30			Pa	10	20	40
		dB(A)	<20	29	35			dB(A)	22	34	43
500x100	0,0185	m <sup>3</sup> /h	200	333	467	300x300	0,0324	m <sup>3</sup> /h	350	583	817
		L(m)	2,3	4	5,8			L(m)	2,5	4,3	6,8
		Pa	7	17	32			Pa	7	27	33
		dB(A)	<20	28	37			dB(A)	<20	32	39
600x100	0,0213	m <sup>3</sup> /h	230	383	537	400x300	0,0417	m <sup>3</sup> /h	450	750	1050
		L(m)	2,3	4	6			L(m)	2,5	5	7
		Pa	6	17	30			Pa	10	20	40
		dB(A)	<20	28	37			dB(A)	22	34	43
300x150	0,0167	m <sup>3</sup> /h	180	300	420	500x300	0,0546	m <sup>3</sup> /h	590	983	1377
		L(m)	2,3	4	6			L(m)	2,7	4,8	6,5
		Pa	6	17	35			Pa	7	20	32
		dB(A)	<20	28	37			dB(A)	25	35	42
400x150	0,0213	m <sup>3</sup> /h	230	383	537	600x300	0,0630	m <sup>3</sup> /h	680	1133	1587
		L(m)	2,3	4	6			L(m)	2,4	4,3	6,7
		Pa	6	17	30			Pa	6	17	28
		dB(A)	<20	28	37			dB(A)	22	33	41
500x150	0,0269	m <sup>3</sup> /h	290	483	677	400x400	0,0546	m <sup>3</sup> /h	590	983	1377
		L(m)	2,4	3,5	6,5			L(m)	2,7	4,8	6,5
		Pa	7	20	39			Pa	7	20	32
		dB(A)	<20	33	40			dB(A)	25	35	42
600x150	0,0324	m <sup>3</sup> /h	350	583	817	500x500	0,0880	m <sup>3</sup> /h	950	1583	2217
		L(m)	2,5	4,3	6,8			L(m)	2,8	5	7,2
		Pa	7	27	33			Pa	6	17	30
		dB(A)	<20	32	39			dB(A)	24	34	43
300x200	0,0213	m <sup>3</sup> /h	230	383	537	600x600	0,1259	m <sup>3</sup> /h	1360	2267	3173
		L(m)	2,3	4	6			L(m)	2,5	5,5	8
		Pa	6	17	30			Pa	5	20	30
		dB(A)	<20	28	37			dB(A)	23	39	44



SC regulation damper

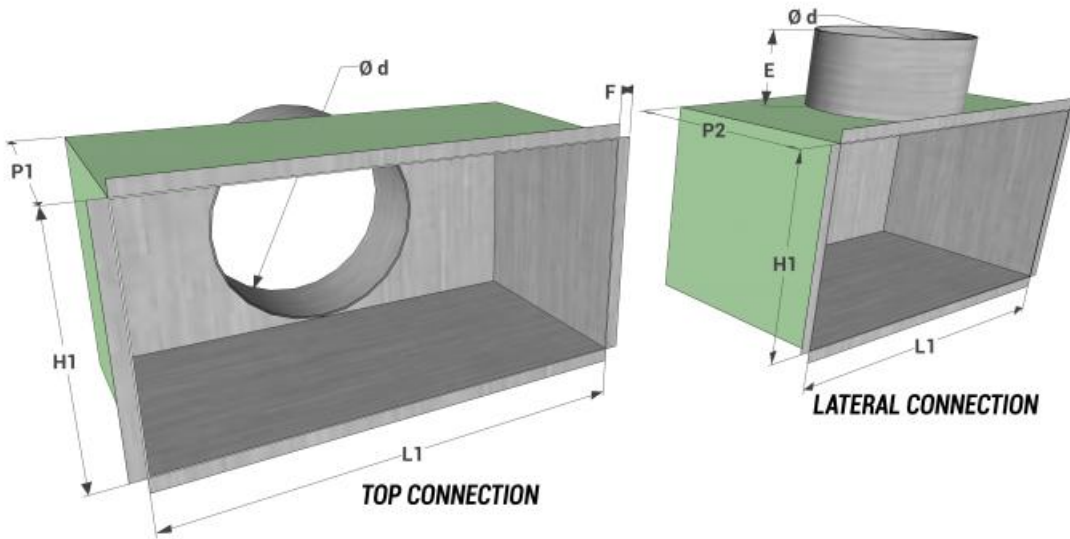
Galvanised steel regulation damper with blades with opposing movement.



CT Counter-frame



Plenum



model L1 x H1	top connection			lateral connection			E	F	model L1 x H1	top connection			lateral connection			E	F
	P1	no. connections	$\varnothing d$	P2	no. connections	$\varnothing d$				P1	no. connections	$\varnothing d$	P2	no. connections	$\varnothing d$		
200x100	200	1	98	200	1	98	80	12	400x200	200	1	198	300	1	198	80	12
300x100	200	1	98	200	1	98	80	12	500x200	200	1	198	300	1	198	80	12
400x100	200	2	98	200	2	98	80	12	600x200	200	2	198	300	2	198	80	12
500x100	200	2	98	200	2	98	80	12	300x300	200	1	248	350	1	248	80	12
600x100	200	2	98	200	2	98	80	12	400x300	200	1	248	350	1	248	80	12
300x150	200	1	148	250	1	148	80	12	500x300	200	1	248	350	1	248	80	12
400x150	200	1	148	250	1	148	80	12	600x300	200	2	198	350	2	248	80	12
500x150	200	2	148	250	2	148	80	12	400x400	200	1	298	400	1	298	80	12
600x150	200	2	148	250	2	148	80	12	500x500	200	2	248	400	2	248	80	12
300x200	200	1	198	300	1	198	80	12	600x600	200	2	298	400	2	298	80	12

### Price list

Note: painted white RAL 9016 + 20%.

dimensions LxH	EDC1	EDC2	EDC3	EDC4	EDC5	EDC6	damper SC	counter-frame CT
	euro	euro	euro	euro	euro	euro	euro	euro
200x100	30,04	30,22	32,82	32,82	-	-	13,21	14,13
300x100	31,76	31,76	34,53	34,53	-	-	14,39	14,13
400x100	34,32	34,53	39,89	39,65	-	-	17,21	15,68
500x100	36,91	37,13	40,57	40,57	-	-	20,54	17,25
600x100	39,49	39,49	43,15	43,15	-	-	23,50	18,85
300x150	44,63	44,63	48,08	48,36	-	-	16,86	15,68
400x150	47,19	47,47	51,51	51,81	-	-	19,86	17,25
500x150	49,78	49,78	54,41	54,41	-	-	23,00	20,69
600x150	50,65	50,95	56,12	56,12	-	-	26,21	22,59
300x200	47,19	47,47	51,81	51,51	70,81	70,81	22,39	17,25
400x200	50,65	50,95	55,79	56,12	75,96	75,96	24,57	19,94
500x200	56,64	56,97	62,16	62,16	84,99	84,99	28,86	22,59
600x200	61,80	62,17	67,79	67,79	92,74	92,74	33,25	24,19
300x300	65,23	65,23	73,38	73,38	97,86	97,81	27,79	20,69
400x300	70,38	70,79	77,68	77,68	105,56	105,56	34,39	24,19
500x300	76,39	76,84	83,76	83,27	114,59	114,59	37,86	27,60
600x300	83,27	83,27	92,38	91,83	124,91	124,91	41,39	29,23
400x400	93,86	94,97	103,00	103,00	144,15	140,76	39,39	27,60
500x500	127,32	127,32	138,77	138,77	191,02	191,02	61,21	34,51
600x600	166,54	166,55	183,60	183,60	151,91	151,91	76,00	41,10

### Accessories

model L1 x H1	plenum with top connection		plenum with lateral connection		model L1 x H1	plenum with top connection		plenum with lateral connection	
	EPZ galvanized plenum	EPI isolated plenum	EPZ galvanized plenum	EPI isolated plenum		EPZ galvanized plenum	EPI isolated plenum	EPZ galvanized plenum	EPI isolated plenum
200x100	a.r. v	a.r. v	a.r. v	a.r. v	400x200	a.r. v	a.r. v	a.r. v	a.r. v
300x100	a.r. v	a.r. v	a.r. v	a.r. v	500x200	a.r. v	a.r. v	a.r. v	a.r. v
400x100	a.r. v	a.r. v	a.r. v	a.r. v	600x200	a.r. v	a.r. v	a.r. v	a.r. v
500x100	a.r. v	a.r. v	a.r. v	a.r. v	300x300	a.r. v	a.r. v	a.r. v	a.r. v
600x100	a.r. v	a.r. v	a.r. v	a.r. v	400x300	a.r. v	a.r. v	a.r. v	a.r. v
300x150	a.r. v	a.r. v	a.r. v	a.r. v	500x300	a.r. v	a.r. v	a.r. v	a.r. v
400x150	a.r. v	a.r. v	a.r. v	a.r. v	600x300	a.r. v	a.r. v	a.r. v	a.r. v
500x150	a.r. v	a.r. v	a.r. v	a.r. v	400x400	a.r. v	a.r. v	a.r. v	a.r. v
600x150	a.r. v	a.r. v	a.r. v	a.r. v	500x500	a.r. v	a.r. v	a.r. v	a.r. v
300x200	a.r. v	a.r. v	a.r. v	a.r. v	600x600	a.r. v	a.r. v	a.r. v	a.r. v