

EDFLNA EDFLBN A Linear slot diffusers with aluminium rotary deflectors



Description

Aluminium diffuser with adjustable rotary deflectors for optimal air throw control. Also available with sliding regulation damper.

Characteristics

Material: aluminium.
Finish: natural anodised.
Deflectors: aluminium.
Installation: duct or plenum.

Use

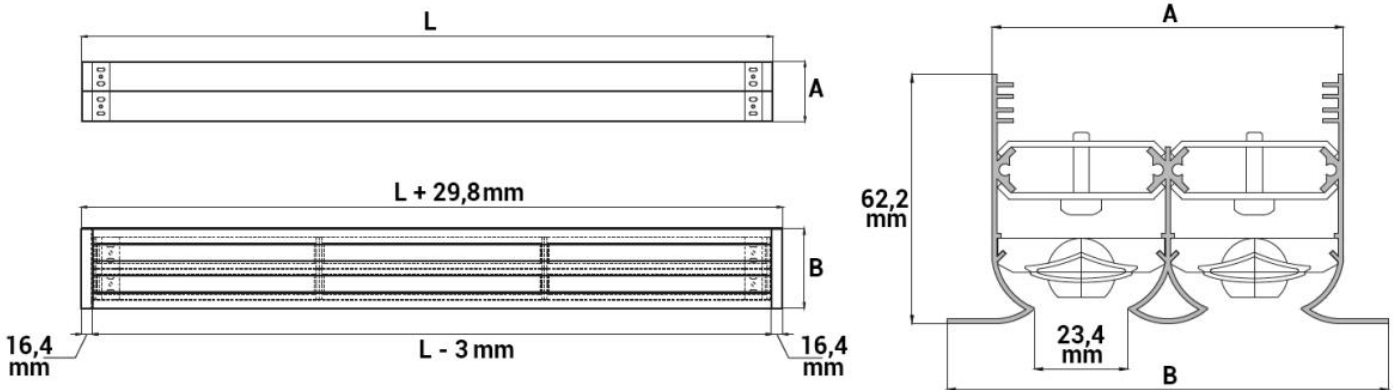
Diffuser suitable for both air supply and exhaust in large rooms. Its modularity allows for great freedom of design.

Models

EDFLNA-10 exhaust diffusers (without deflectors).
EDFLNA-20 supply diffusers with ALUMINIUM deflectors.
EDFLBNA-20 white RAL9010 supply diffusers with white ALUMINIUM deflectors.
EDFLNA-40 supply diffusers with ALUMINIUM deflectors and sliding damper.
EDFLBNA-40 white RAL9010 supply diffusers with white ALUMINIUM deflectors and sliding damper.
EDFLNA-50 supply diffusers with ALUMINIUM deflectors, equaliser and sliding damper.
EDFLBNA-50 white RAL9010 supply diffusers with white ALUMINIUM deflectors, equaliser and sliding damper.

Accessories

- galvanised plenum;
- insulated plenum;
- 90° corner connection;
- continuity kit.



Linear diffuser dimensions

Dimensions are expressed in mm

Number of slots	L	A	B	number of fixing brackets
1 slot	800	44,4	67	2
2 slots		87,6	110,2	2
3 slots		130,8	153,4	2
4 slots		174	196,6	2
1 slot	1000	44,4	67	2
2 slots		87,6	110,2	2
3 slots		130,8	153,4	2
4 slots		174	196,6	2
1 slot	1500	44,4	67	3
2 slots		87,6	110,2	3
3 slots		130,8	153,4	3
4 slots		174	196,6	3
1 slot	2000	44,4	67	4
2 slots		87,6	110,2	4
3 slots		130,8	153,4	4
4 slots		174	196,6	4

Operating data

Data referring to 1 m long diffusers

Vk: effective speed (m/s)

m³/h: air flow rate

Pa: pressure drops in Pascal

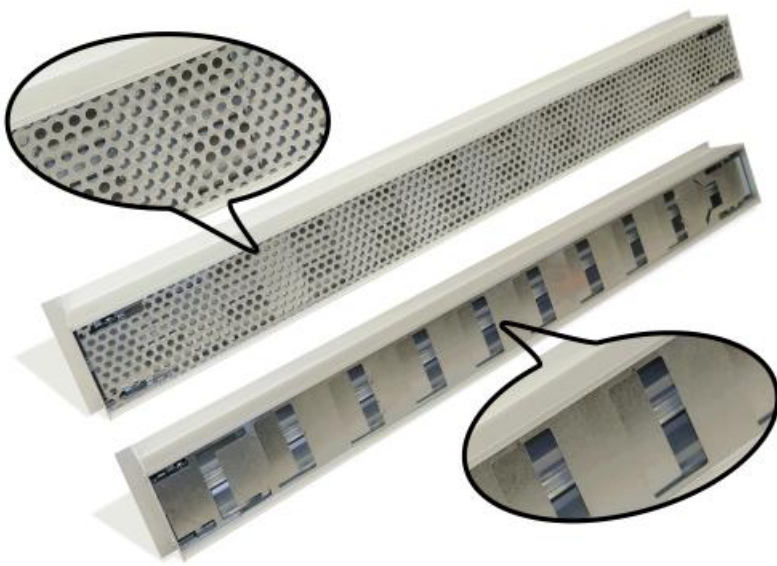
Lo(m): horizontal air throw in metres calculated on ceiling flush installation and terminal velocity 0.25 m/s

Lv(m): vertical air throw in metres calculated on ceiling flush installation and terminal velocity 0.25 m/s

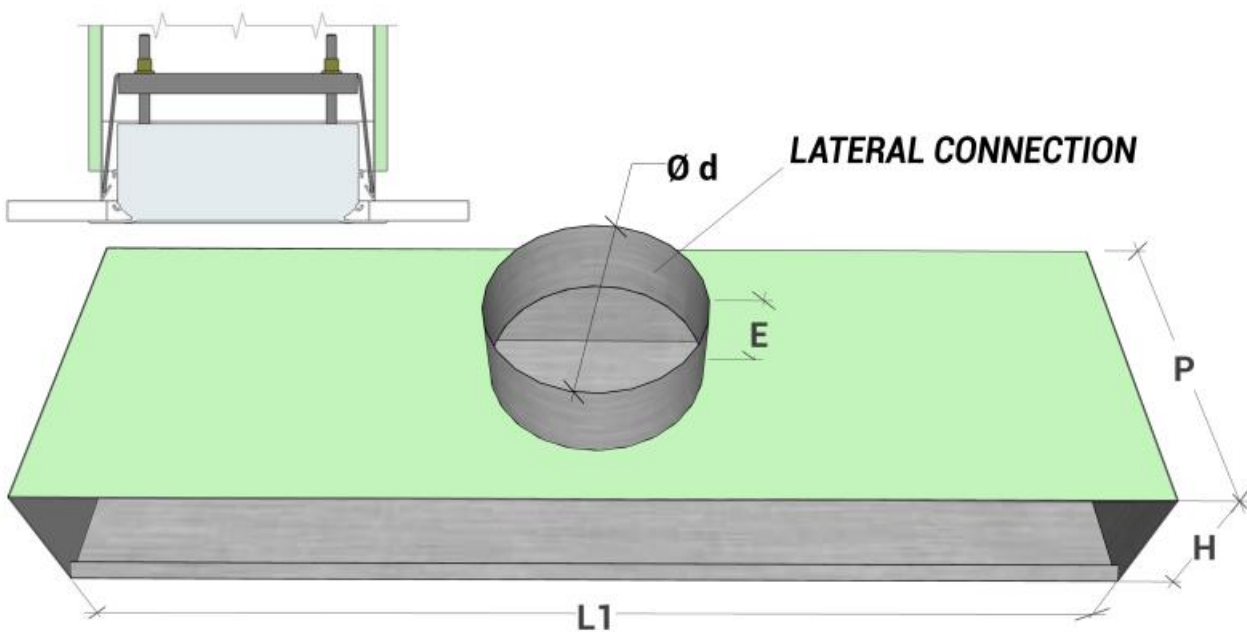
dB(A): noise level



Equaliser mesh and sliding damper



Plenum dimensions and fixing bracket system



all dimensions are expressed in mm

Number of slots	L	Plenum dimensions							
		L1	No. of connections			Ø d	P	H	E
1 slot	800	815	1			123	200	59	80
	1000	1015	1						
	1500	1515	2						
	2000	2015	2						
2 slots	800	815	1			148	240	102	80
	1000	1015	1						
	1500	1515	2						
	2000	2015	2						
3 slots	800	815	1			148	240	145	80
	1000	1015	1						
	1500	1515	2						
	2000	2015	2						
4 slots	800	815	1			198	285	189	80
	1000	1015	1						
	1500	1515	2						
	2000	2015	2						

Price list

For dimensions other than those indicated: 15% increase compared to the bigger dimension indicated in the table

	model	EDFLNA-10	EDFLNA-20	EDFLNA-40	EDFLNA-50	PLENUM	Insulated PLENUM
		euro	euro	euro	euro	euro	euro
1 slot	800	49,59	56,52	70,14	79,40	a.r. v	a.r. v
	1000	55,56	65,39	83,41	94,25	a.r. v	a.r. v
	1500	79,95	97,37	119,64	134,34	a.r. v	a.r. v
	2000	99,63	122,86	150,52	169,23	a.r. v	a.r. v
2 slots	800	72,93	90,08	114,48	131,05	a.r. v	a.r. v
	1000	81,41	104,13	132,04	151,38	a.r. v	a.r. v
	1500	115,85	150,67	187,37	213,21	a.r. v	a.r. v
	2000	143,94	190,36	235,76	268,34	a.r. v	a.r. v
3 slots	800	96,50	123,87	160,58	184,49	a.r. v	a.r. v
	1000	107,06	143,09	184,85	212,62	a.r. v	a.r. v
	1500	151,96	204,19	258,46	295,46	a.r. v	a.r. v
	2000	188,47	258,09	326,18	372,64	a.r. v	a.r. v
4 slots	800	125,89	163,49	212,45	243,70	a.r. v	a.r. v
	1000	133,01	182,19	237,53	273,75	a.r. v	a.r. v
	1500	187,43	257,10	330,46	378,65	a.r. v	a.r. v
	2000	232,75	325,60	416,54	476,65	a.r. v	a.r. v

White painted version price list

	model	EDFLBNA-10	EDFLBNA-20	EDFLBNA-40	EDFLBNA-50	PLENUM	Insulated PLENUM
		euro	euro	euro	euro	euro	euro
1 slot	800	74,98	85,65	99,29	108,52	a.r. v	a.r. v
	1000	78,13	94,53	112,49	123,37	a.r. v	a.r. v
	1500	102,51	129,79	152,08	166,76	a.r. v	a.r. v
	2000	127,27	158,59	186,22	204,90	a.r. v	a.r. v
2 slots	800	95,46	125,79	150,19	166,78	a.r. v	a.r. v
	1000	103,72	139,82	167,73	187,06	a.r. v	a.r. v
	1500	138,37	192,93	229,63	255,50	a.r. v	a.r. v
	2000	171,56	239,23	284,65	317,21	a.r. v	a.r. v
3 slots	800	119,03	166,15	202,86	226,75	a.r. v	a.r. v
	1000	129,59	185,37	227,09	254,88	a.r. v	a.r. v
	1500	174,47	256,33	310,60	347,62	a.r. v	a.r. v
	2000	216,09	320,12	388,20	434,62	a.r. v	a.r. v
4 slots	800	148,46	212,35	261,32	292,53	a.r. v	a.r. v
	1000	155,57	231,03	286,37	322,61	a.r. v	a.r. v
	1500	210,01	319,12	392,49	440,68	a.r. v	a.r. v
	2000	260,38	400,78	491,68	551,81	a.r. v	a.r. v

fixing bracket		euro
1 slot		6,72
2 slots		6,72
3 slots		6,72
4 slots		6,72

Accessory price list

Angular	EDFLNA with deflectors		EDFLBNA with deflectors	
	euro		euro	
1 slot	103,70		138,75	
2 slots	136,72		166,49	
3 slots	169,71		196,90	
4 slots	202,69		227,79	
continuity kit	13,62		13,62	