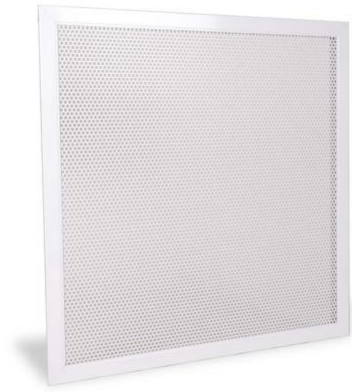


## EDQF3 Perforated face square diffusers



### Description

Square diffusers for ceiling installation with perforated front plate.

### Characteristics

Aluminium perimeter frame.  
Galvanised steel panel.  
Painted white RAL 9016.  
The perforated mesh is made according to the following specifications:  
-60° alternating round holes;  
-empty/full ratio 46%;  
-diameter of holes 5mm;  
-distance between centres 7mm.

### Use

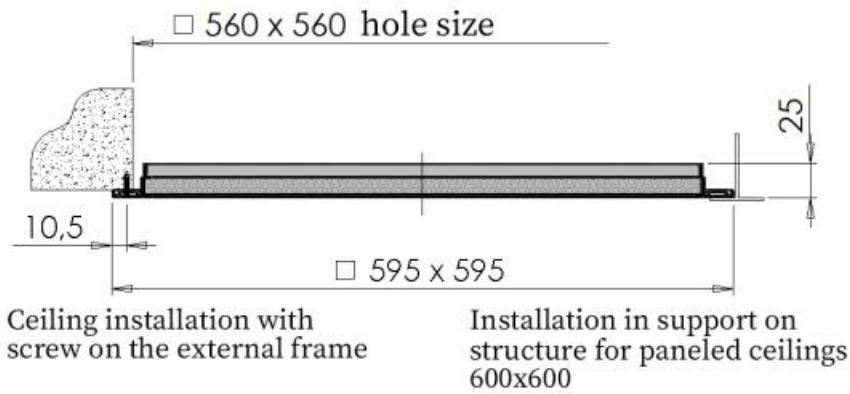
Suitable for both supply and exhaust air in air conditioning systems.

### Accessories

- galvanised plenum;
- insulated plenum;
- SC regulation damper.

### On request

- Painted in different RAL colours (prices on request);
- screw holes on the diffuser frame.



### Operating data

Vk: effective speed (m/s)

m<sup>3</sup>/h: flow rate

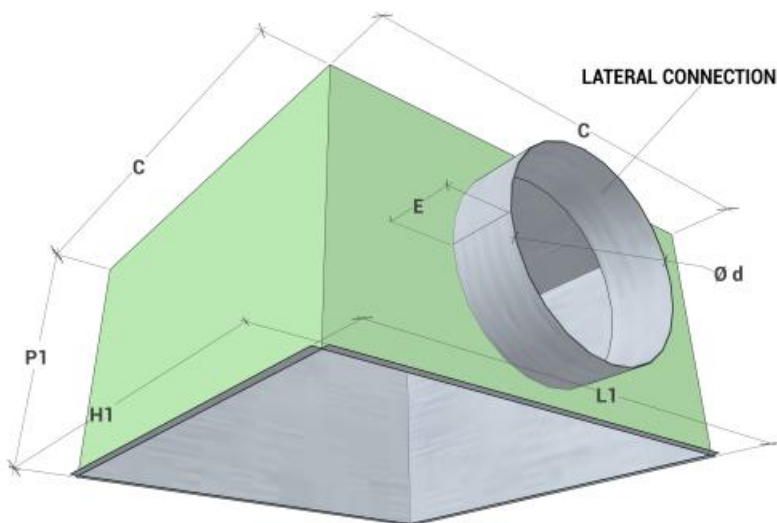
Pa: pressure drops in Pascal

L(m): air throw in metres calculated on ceiling installation, terminal velocity 0.25 m/s

dB(A): noise level

model	effective cross-section m <sup>2</sup>	Vk					
		2,5	3	4	5	6	
EDQF3 595x595	0,127	m <sup>3</sup> /h	1145	1370	1830	2285	2740
		L(m)	2,9	3,5	4,4	5,3	6,3
		Pa	10	15	20	35	50
		dB(A)	18	21	30	39	48

### Plenum



Plenum with top connection on request.

Model	External dimensions L1 x H1	Ø d	P1	C	E
EDQF3	580x580	248	300	560	80

### SC regulation damper

This accessory reduces the air flow from the diffuser, thus ensuring perfect regulation. The damper is attached to the diffuser using the clips supplied with the diffuser.



### Price list

diffuser		SC regulation damper	insulated plenum	Galvanised plenum
	euro	euro	euro	euro
EDQF3 595x595	99,83 ✓	78,28 ✓	a.r. ✓	a.r. ✓

Plenum with top connection on request.