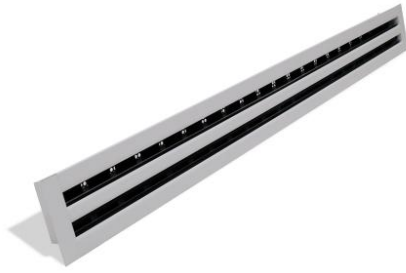


# EDFL EDFLB Linear slot diffusers with deflectors



## Description

Linear slot diffuser with aerodynamic aluminium profile and adjustable deflectors for optimal air throw control.  
Also available with sliding regulation damper.

## Characteristics

Material: aluminium.  
EDFL finish: natural anodised aluminium frame and black painted aluminium deflectors.  
EDFLB finish: white RAL 9016 painted aluminium frame and deflector.

Slots: from 1 to 4 in standard version, 5 or 6 on request.

Installation: directly on duct or by means of a plenum with a fixing bracket system.

Possible dimensions in one piece:  
- minimum length 300 mm;  
- maximum length 2000 mm.

## Use

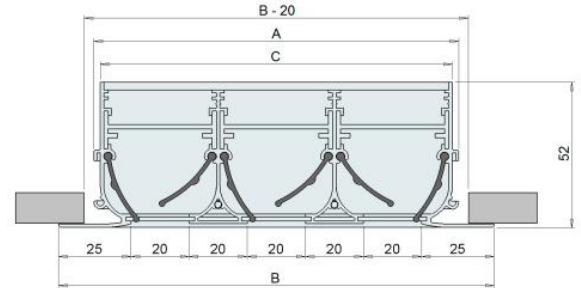
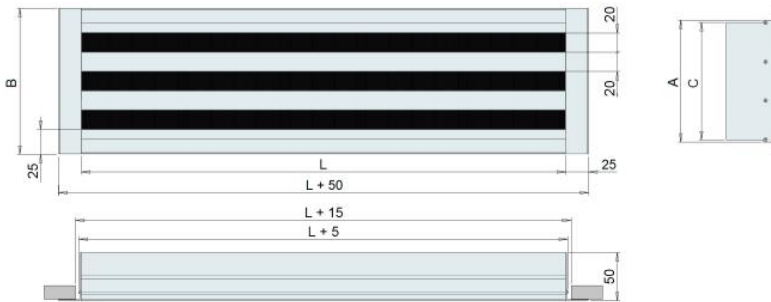
Diffuser suitable for both air supply and exhaust in large rooms. Its modularity allows for great freedom of design.

## Models

EDFL-10 return diffusers (without deflectors).  
EDFL-20 supply diffusers with black deflectors.  
EDFLB-20 white RAL9016 supply diffusers with white deflectors.  
EDFL-30 return diffusers with damper.  
EDFL-40 supply diffusers with black deflectors and sliding damper.  
EDFLB-40 white RAL9016 supply diffusers with white deflectors and sliding damper.  
EDFL-50 supply diffusers with black deflectors, equaliser and sliding damper.  
EDFLB-50 white RAL9016 supply diffusers with white deflectors, equaliser and sliding damper.

## Accessories

- galvanised plenum box;
- insulated plenum box;
- 90° corner connection;
- mounting bridges;
- continues line kit.



## Linear diffuser dimensions

All dimensions are expressed in mm

Number of slots	L	A	B	C	number of fixing brackets
1 slot	600	46	70	41	2
	800				2
	1000				2
	1200				2
	1500				2
	2000				2
2 slots	600	86	110	81	2
	800				2
	1000				2
	1200				2
	1500				2
	2000				2
3 slots	600	126	150	121	2
	800				2
	1000				2
	1200				2
	1500				2
	2000				3
4 slots	600	166	190	161	2
	800				2
	1000				2
	1200				2
	1500				2
	2000				3

## Operating data

Data referring to 1m long diffusers, with a terminal throw velocity  $V_t=0.25$  m/s and with a temperature differential of 10/12°C, in ceiling installations and with lateral air throw.

Data referring to diffusers without damper or with open sliding damper.

Data referring to diffusers with deflectors in the working position with a 50% reduction of the air passage surface.

The position of the deflectors reduces the effective cross-section. When the deflectors are fully open or when the diffuser is used for air exhaust, the flow rates expressed in m<sup>3</sup>/h indicated in the table may be higher.

Vk: effective speed (m/s)

m<sup>3</sup>/h: air flow rate

Pa: pressure drops in Pascal

L(m): air throw in metres

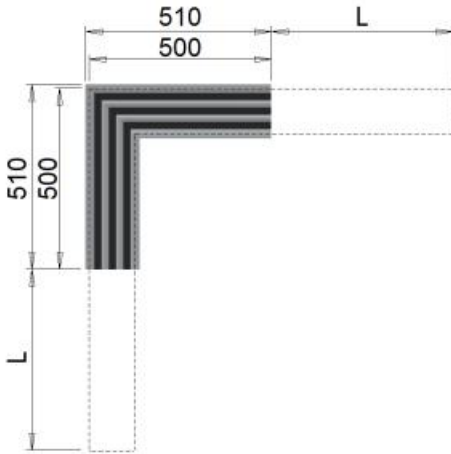
dB(A): noise level

Number of slots	effective cross-section m <sup>2</sup>	air flow rate and throw						
		m <sup>3</sup> /h	70	105	140	175	210	245
1 slot	0,0097	L(m)	1.8	2.7	3.6	4.5	5.4	6.3
		m <sup>3</sup> /h	140	210	280	350	420	490
2 slots	0,0194	L(m)	2.5	3.8	5	6.3	7.5	8.8
		m <sup>3</sup> /h	210	315	420	525	630	735
3 slots	0,0291	L(m)	3	4.7	6	7.8	9.3	11
		m <sup>3</sup> /h	280	420	560	700	840	980
4 slots	0,0388	L(m)	3.5	5.4	7	9	11	12.6
		m <sup>3</sup> /h	280	420	560	700	840	980
Vk		m/s	2	3	4	5	6	7
pressure drops		Pa	8	15	26	40	55	70
noise level		dB(A)	<20	22	32	37	44	48

## Corner connection

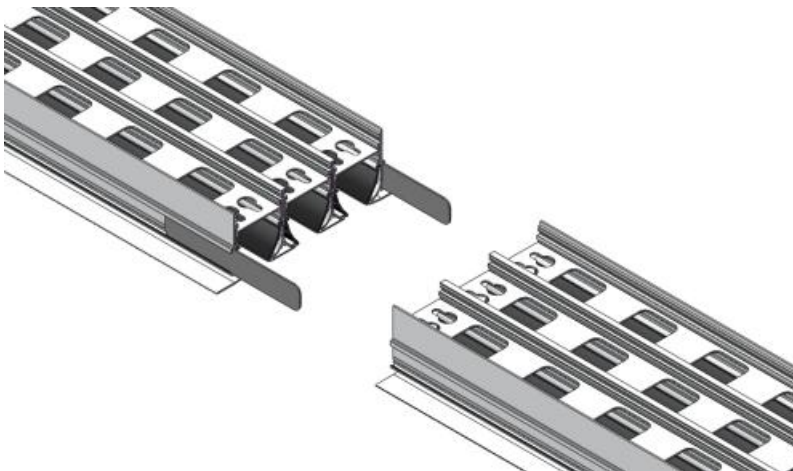
Aesthetic connecting element between the two linear diffuser lines with a 90° angle and 500 mm length on each side. It has no ventilation features.

All measurements are expressed in mm.

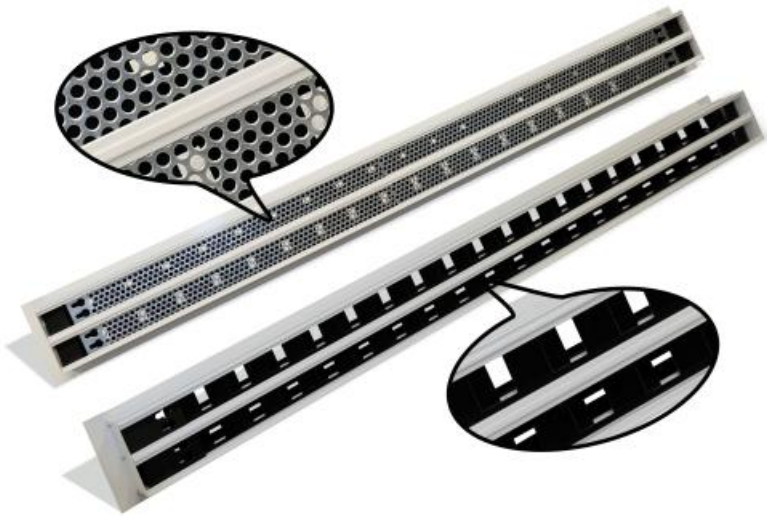


## Continuity kit

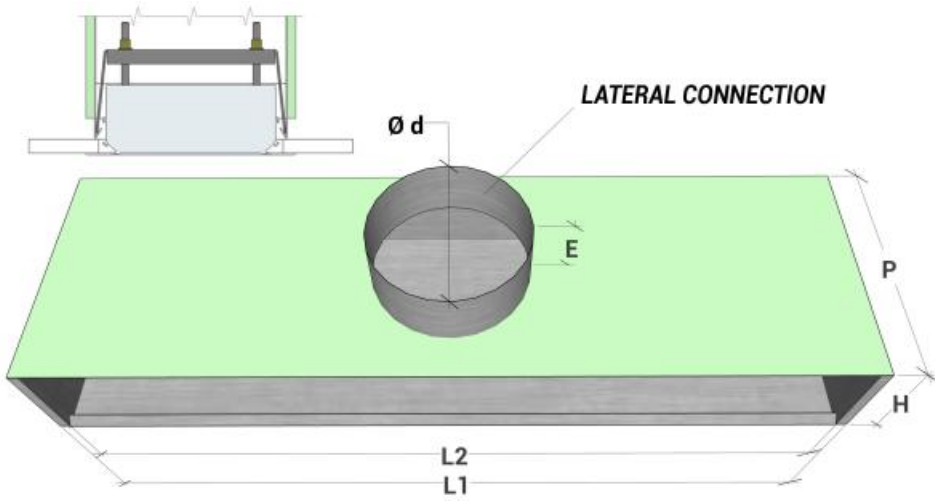
The continuity kit is an accessory required to create continuous lines of linear diffusers longer than 2 metres. It is made up of two junction plates that allow for the alignment and connection of two components of the line.



## Equipping mesh and sliding damper:



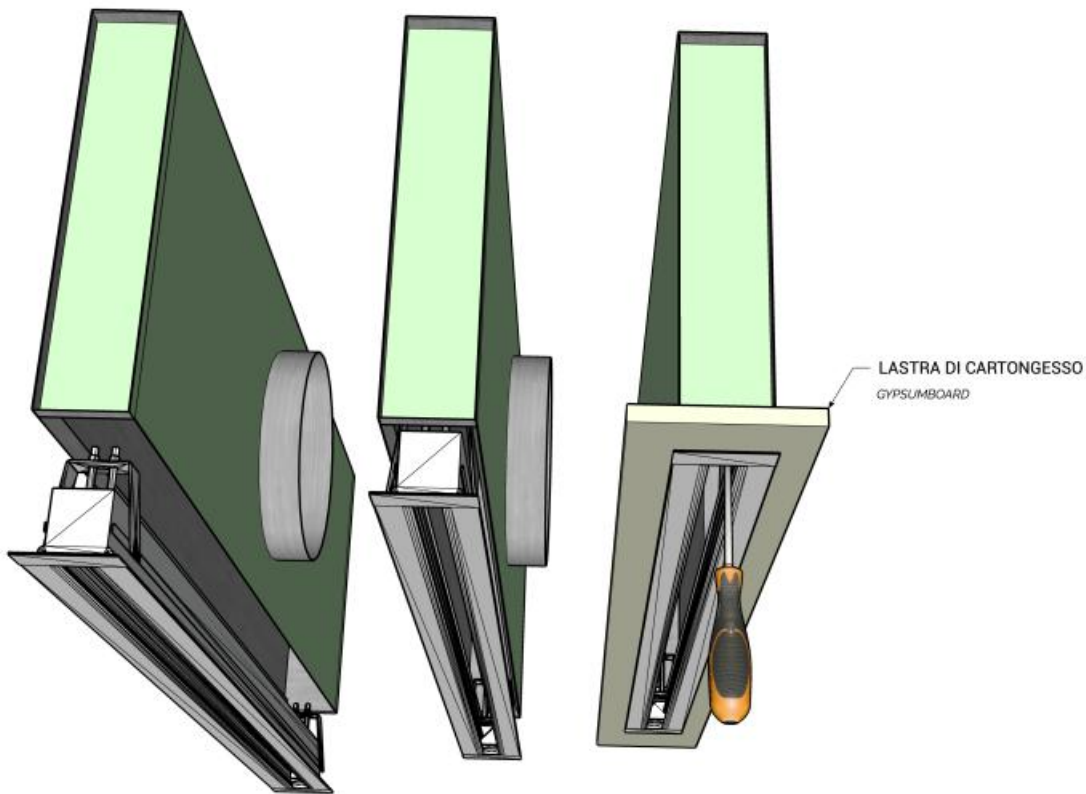
### Plenum dimensions and fixing bracket system



All dimensions are expressed in mm

Number of slots	L	Plenum dimensions						
		L1	L2	No. of connections	Ø d	P	H	E
1 Slot	600	645	615	1	98	300	58	80
	800	845	815	1				
	1000	1045	1015	1				
	1200	1245	1215	2				
	1500	1545	1515	2				
	2000	2045	2015	2				
2 Slots	600	645	615	1	148	300	98	80
	800	845	815	1				
	1000	1045	1015	1				
	1200	1245	1215	2				
	1500	1545	1515	2				
	2000	2045	2015	2				
3 Slots	600	645	615	1	198	300	138	80
	800	845	815	1				
	1000	1045	1015	1				
	1200	1245	1215	2				
	1500	1545	1515	2				
	2000	2045	2015	2				
4 Slots	600	645	615	1	198	300	178	80
	800	845	815	1				
	1000	1045	1015	1				
	1200	1245	1215	2				
	1500	1545	1515	2				
	2000	2045	2015	2				

### Installation



## Price list

Natural anodised aluminium frame and black painted aluminium deflectors.

	length	EDFL-10	EDFL-20	EDFL-30	EDFL-40	EDFL-50	PLENUM	INSULATED PLENUM
		euro	euro	euro	euro	euro	euro	euro
1 slot	600	34,15	38,11	40,50	47,19	50,06	49,30	64,10
	800	39,04	43,56	46,29	51,74	57,22	a.r.	a.r.
	1000	43,57	49,02	52,63	56,28	65,36	a.r.	a.r.
	1200	48,10	54,48	58,98	65,36	74,45	67,37	88,65
	1500	55,36	62,63	67,18	74,43	83,52	a.r.	a.r.
	2000	66,27	76,26	81,67	90,79	103,48	a.r.	a.r.
2 slots	600	45,27	56,19	58,77	66,73	76,26	52,15	67,83
	800	51,74	64,22	67,18	76,26	87,15	a.r.	a.r.
	1000	58,07	69,90	76,26	87,15	98,93	a.r.	a.r.
	1200	64,42	75,59	85,36	98,05	110,72	73,17	95,84
	1500	75,34	89,87	98,04	111,65	130,71	a.r.	a.r.
	2000	92,60	111,65	119,82	139,79	160,65	a.r.	a.r.
3 slots	600	56,39	68,32	76,26	88,19	102,46	54,99	71,55
	800	64,46	78,07	87,15	100,79	117,09	a.r.	a.r.
	1000	72,65	88,06	98,93	114,34	134,33	a.r.	a.r.
	1200	80,84	98,07	110,72	127,91	151,58	77,66	101,72
	1500	94,38	117,09	128,91	151,60	177,03	a.r.	a.r.
	2000	118,01	146,15	158,86	187,92	220,56	a.r.	a.r.
4 slots	600	67,52	87,91	98,56	108,81	127,88	59,72	77,28
	800	77,16	100,48	110,11	124,35	146,15	a.r.	a.r.
	1000	88,06	108,01	121,64	142,49	169,67	a.r.	a.r.
	1200	98,98	124,31	135,08	160,64	193,22	80,97	106,29
	1500	115,29	143,42	159,77	188,80	222,42	a.r.	a.r.
	2000	142,49	180,60	196,98	235,10	276,84	a.r.	a.r.

Ral 9010 painted with black deflectors + 20%

## Price list

White version with white deflectors

	length	EDFLB-20	EDFLB-40	EDFLB-50	PLENUM	INSULATED PLENUM
		euro	euro	euro	euro	euro
1 slot	600	48,30 v	59,80 v	63,40 v	49,30 v	64,10 v
	800	55,18 v	65,52 v	72,41 v	a.r. v	a.r. v
	1000	62,10 v	71,27 v	82,73 v	a.r. v	a.r. v
	1200	69,05 v	82,81 v	94,19 v	67,37 v	88,65 v
	1500	79,33 v	94,26 v	105,73 v	a.r. v	a.r. v
	2000	96,56 v	115,00 v	130,95 v	a.r. v	a.r. v
2 slots	600	71,20 v	84,53 v	96,53 v	52,15 v	67,83 v
	800	81,37 v	96,56 v	110,27 v	a.r. v	a.r. v
	1000	88,52 v	110,34 v	125,20 v	a.r. v	a.r. v
	1200	95,78 v	124,16 v	140,19 v	73,17 v	95,84 v
	1500	113,83 v	141,38 v	165,42 v	a.r. v	a.r. v
	2000	141,40 v	177,03 v	203,35 v	a.r. v	a.r. v
3 slots	600	86,52 v	111,72 v	129,63 v	54,99 v	71,55 v
	800	98,84 v	127,62 v	148,15 v	a.r. v	a.r. v
	1000	111,54 v	144,82 v	170,05 v	a.r. v	a.r. v
	1200	124,28 v	162,10 v	191,79 v	77,66 v	101,72 v
	1500	148,28 v	191,97 v	224,03 v	a.r. v	a.r. v
	2000	185,07 v	237,99 v	279,20 v	a.r. v	a.r. v
4 slots	600	111,40 v	137,86 v	161,96 v	59,72 v	77,28 v
	800	127,31 v	157,48 v	185,00 v	a.r. v	a.r. v
	1000	136,79 v	180,45 v	214,77 v	a.r. v	a.r. v
	1200	157,52 v	203,53 v	244,65 v	80,97 v	106,29 v
	1500	181,63 v	239,10 v	281,54 v	a.r. v	a.r. v
	2000	228,77 v	297,75 v	350,43 v	a.r. v	a.r. v

### Price list

fixing bracket	euro
1 slot	12,23 v
2 slots	12,23 v
3 slots	12,23 v
4 slots	12,23 v

### Accessory price list

Angular without deflectors	EDFL	EDFLB
	euro	euro
1 feritoia	87,16 v	104,61 v
2 feritoie	116,19 v	139,40 v
3 feritoie	145,21 v	174,23 v
4 feritoie	176,15 v	211,35 v
continuity kit	2,30 v	2,30 v