



Description

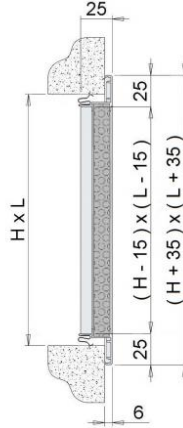
Air supply and exhaust grilles with perforated panel.

Characteristics

Aluminium perimeter frame.
Galvanised steel panel.
Finish: painted white RAL 9016.
Installation: clip fastening.

The perforated mesh is made according to the following specifications:

- 60° alternating round holes;
- empty/full ratio 46%;
- diameter of holes 5mm;
- distance between centres 7mm.



Use

For air exhaust in rooms.

Accessories

- EPZ galvanised plenum;
- EPI insulated plenum;
- SC galvanised steel regulation damper with blades with opposing movement;
- CT galvanised steel counter-frame to set into wall.

On request

- Version with filter-holder counter-frame;
- painting in different RAL colours;
- holes on frame for installation with screws.

Effective cross-section

H	L					
	300	400	500	600	800	1000
	Effective cross-section m ²					
200	0,024	0,033	0,041	0,050	0,067	0,084
300	0,037	0,050	0,064	0,077	0,103	0,129
400	0,050	0,068	0,086	0,104	0,139	0,174
500	0,064	0,086	0,108	0,131	0,175	0,220
600	0,077	0,104	0,131	0,157	0,211	0,265

Operating data

Vk: effective speed (m/s)

m³/h: flow rate

Pa: pressure drops in Pascal

dB(A): noise level

L: width

H: height

All measurements are expressed in mm.

H	Vk m/s	L					
		300	400	500	600	800	1000
		flow rate m ³ /h					
200	2	175	236	297	358	481	604
	3	262	354	446	538	721	905
	4	349	472	594	717	962	1207
300	2	269	363	458	552	740	930
	3	404	545	687	828	1110	1395
	4	538	727	916	1104	1482	1860
400	2	363	491	618	746	1000	1256
	3	545	736	928	1119	1500	1884
	4	727	982	1237	1492	2000	2512
500	2	458	618	779	940	1260	1582
	3	687	928	1169	1410	1890	2373
	4	916	1237	1558	1879	2522	3164
600	2	552	746	940	1133	1520	1908
	3	828	1119	1410	1700	2280	2863
	4	1104	1492	1879	2267	3042	3817

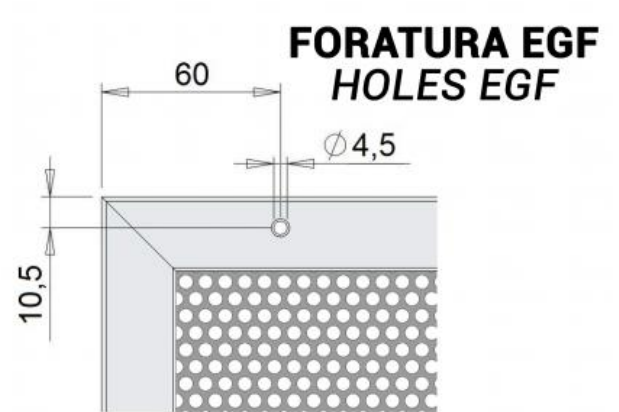
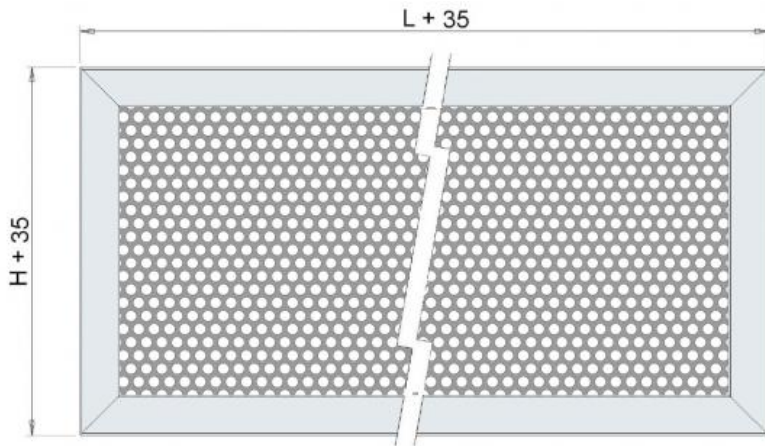
Noise level dB(A)

		V m/s	dB(A)
sound power level		2	20/25
		3	25/30
		4	35/40

Pressure drop (Pa)

	V m/s	Pa
pressure drop	2	15
	3	40
	4	70

Detail of holes



SC regulation damper

Galvanised steel regulation damper with blades with opposing movement.

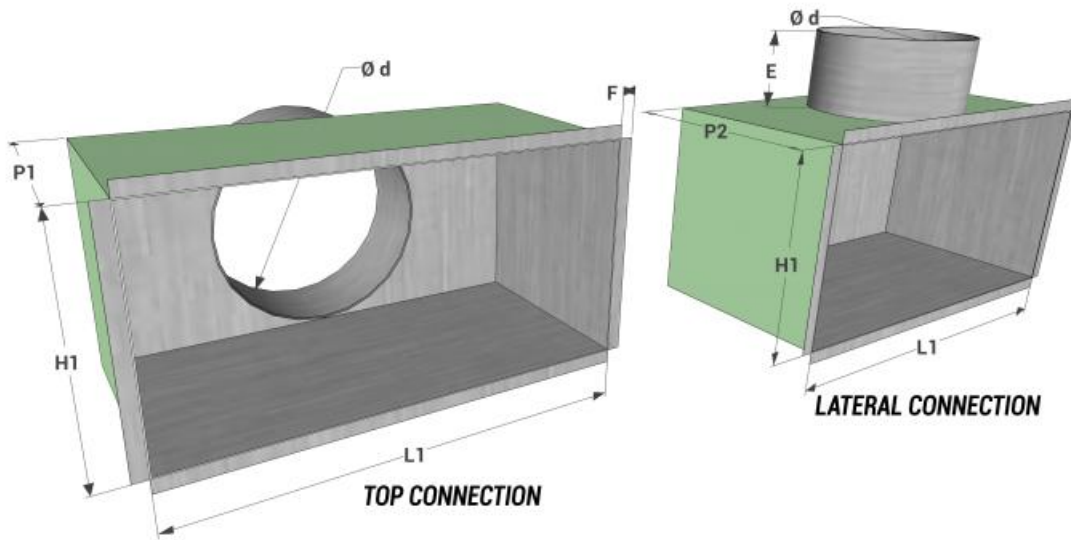


CT counter-frame



Plenum

EGF Perforated grilles 2 / 4



model L1 x H1	top connection			lateral connection			E	F
	P1	no. connections	Ø d	P2	no. connections	Ø d		
300x200	200	1	200	300	1	200	80	12
400x200	200	1	200	300	1	200	80	12
500x200	200	1	200	300	1	200	80	12
600x200	200	1	200	300	1	200	80	12
800x200	200	1	200	300	1	200	80	12
1000x200	200	2	200	300	2	200	80	12
300x300	200	1	248	350	1	248	80	12
400x300	200	1	248	350	1	248	80	12
500x300	200	1	248	350	1	248	80	12
600x300	200	2	198	350	2	248	80	12
800x300	200	2	248	350	2	248	80	12
1000x300	200	2	248	350	2	248	80	12
400x400	200	1	298	350	1	298	80	12
500x400	200	1	298	350	1	298	80	12
600x400	200	2	198	350	2	248	80	12
800x400	200	2	298	350	2	298	80	12
1000x400	200	2	298	400	2	298	80	12

EGF price list

H	L					
	300	400	500	600	800	1000
	euro	euro	euro	euro	euro	euro
200	54,51	61,29	68,61	75,98	89,03	101,97
300	62,36	72,09	80,98	89,65	105,73	121,14
400	72,09	82,89	94,11	104,68	123,28	141,66
500	80,98	94,11	105,73	117,76	139,74	160,24
600	89,65	104,68	117,76	130,66	155,84	178,66

SC damper						
H	L					
	300	400	500	600	800	1000
	euro	euro	euro	euro	euro	euro
200	22,39	24,57	28,86	33,25	40,75	45,48
300	27,79	34,39	37,86	41,39	50,21	60,54
400	34,39	39,39	47,57	51,14	62,57	74,25
500	37,86	47,57	61,21	63,82	75,89	95,79
600	41,39	51,14	63,82	76,00	91,64	114,64

CT counter-frame						
H	L					
	300	400	500	600	800	1000
	euro	euro	euro	euro	euro	euro
200	17,25	19,94	22,59	24,19	29,23	32,61
300	20,69	24,19	27,60	29,23	34,51	39,25
400	24,19	27,60	30,77	34,51	39,25	44,53
500	27,60	30,77	34,51	37,65	43,02	48,06
600	29,23	34,51	37,65	41,10	46,13	53,33

Plenum

dimensions	top connection		lateral connection	
	EPZ galvanized plenum	EPI isolated plenum	EPZ galvanized plenum	EPI isolated plenum
L1xH1	euro	euro	euro	euro
300x300	a.r. ✓	a.r. ✓	a.r. ✓	a.r. ✓
400x300	a.r. ✓	a.r. ✓	a.r. ✓	a.r. ✓
500x300	a.r. ✓	a.r. ✓	a.r. ✓	a.r. ✓
600x300	a.r. ✓	a.r. ✓	a.r. ✓	a.r. ✓
800x300	a.r. ✓	a.r. ✓	a.r. ✓	a.r. ✓
1000x300	a.r. ✓	a.r. ✓	a.r. ✓	a.r. ✓
400x400	a.r. ✓	a.r. ✓	a.r. ✓	a.r. ✓
600x400	a.r. ✓	a.r. ✓	a.r. ✓	a.r. ✓
800x400	a.r. ✓	a.r. ✓	a.r. ✓	a.r. ✓
1000x400	a.r. ✓	a.r. ✓	a.r. ✓	a.r. ✓